
TABLE OF CONTENTS

Specifications	19-2
Quick Spec Guide	19-4
Elevations/Sizes: 1/4" Scale	19-6
Casement Half Round Units	19-8
Casement Quarter Round Units	19-10
Double-Hung Half Round Units	19-11
Double-Hung Quarter Round Units	19-13
In-Swing Patio Door Half Round Units	19-14
Out-Swing Patio Door Half Round Units	19-15
Glazing Options	19-17
Trim Options	19-19
Grille & SDL Patterns	19-20
Unit Sizing, Rough Openings & Masonry Openings	19-21
Section Details: 6" Scale	19-22

PRODUCT SPECIFICATIONS**EXTERIOR FINISH**

Exterior aluminum surfaces are finished with a fluoropolymer (70% Kynar 500®) multi-coat finish system to meet the performance standards required by AAMA specification #2605. 41 standard colors include Brilliant White, Chestnut Bronze, Desert Sand, French Vanilla, Hartford Green, Mesa Red, Black Licorice, Heirloom White, Hunter Green, Redwood, Sage Brown, Smoke and more. Custom Color Matching available. Three copper finishes are available on window sash.

AURALAST® WOOD

AuraLast® wood is fundamentally different from wood treated in traditional millwork preservation processes in that it uses a proprietary vacuum/pressure process to provide protection throughout the wood parts used to make windows and doors. AuraLast® wood is distinguished from wood using traditional preservation methods by its unique ability to achieve greater penetration of the active ingredients into the wood parts, with a minimum treatment penetration of 92%.

INTERIOR FINISH

Interior surfaces are unfinished clear pine ready for on-site finishing. Optional prefinished pine interiors include four acrylic colors (Moderate White, Extra White, Natural Choice, Pure White), five stains (Wheat, Cherry, Fruitwood, Cordovan, Cider) and a clear lacquer topcoat. Primed interior is also available. Optional interior wood species include vertical grain Douglas Fir, Mahogany and Knotty Alder.

FRAME

Frame is assembled from select kiln-dried pine AuraLast® wood on all exterior parts. Exterior surface is covered with .050 gauge extruded aluminum cladding. Standard jamb width is 4-9/16". Integral nailing fin is part of the frame extrusion on all four sides.

SASH

2-3/32" thick select kiln-dried pine AuraLast® wood. Exterior surface is covered with .050 gauge extruded aluminum cladding. The glass is mounted into the sash using a silicone-glazing compound on the exterior and acrylic sealant on the interior, then secured with interior applied profiled wood stops. To accommodate the new nesting crank hardware, the height of the bottom rail on all operable casement, awning, radius and geometric units has been increased to 2-3/32".

GLAZING

Insulating glass is constructed from two panes of glass, utilizing a continuous roll formed stainless steel spacer with dual seal sealant. Radius insulating glass is construction of panes of glass utilizing an anodized rectangular spacer. The glass is mounted into the sash using a silicone-glazing compound and secured with interior applied profiled wood stops. All insulating glass units comply with the performance requirements of IGCC in accordance with either ASTM E774 or E2190.

GLAZING OPTIONS

Insulating glass available in Low-E with Argon, Low-E, Low-E 366, Clear, Neat Glass, Seedy Reamy, tinted, reflective, or obscure, tempered or other specialty glass as specified. Preserve® film is a 0.003" thick polyethylene film with a low tack acrylic adhesive applied to the glass for protection during shipping and installation. Installations at 4,000 foot elevations and higher require a capillary tube to equalize environmental stress (otherwise known as High Altitude glazing). High Altitude glazing does not allow the use of Argon as listed under glazing options.

WEATHER-STRIPPING

Engineered system combines foam lined bulb seal compressed between the interior of the sash and the frame in a continuous plane on all four sides with a secondary bulb seal compressed between the edge of the sash and the frame.

HARDWARE

Operating sash are mounted to the frame with corrosion resistant steel hinges. Radius operating sash are mounted into the frame with stainless steel leaf hinges. The operating hardware is made of hardened steel worm gears and a heavy gauge steel-operating arm. The sash is secured with concealed type locking hardware. The interior operator cover, nesting crank handle, and locking handle finish options are White, Chestnut Bronze, Desert Sand, plated Polished Brass, Antique Brass, Polished Chrome, Brushed Chrome and Oil-Rubbed Bronze.

INTERIOR INSECT SCREENS

Charcoal fiberglass screen cloth (18x16 mesh) set in painted roll formed aluminum frame fitted to the inside of the window with all necessary hardware, in White, Chestnut Bronze or Desert Sand finishes. Wood veneer screen frames screens are available in Ponderosa Pine, vertical-grain Douglas Fir, Mahogany, and Knotty Alder. Insect screens are intended to allow air and light in and to keep insects out. They are not intended to keep anyone or anything from falling through an open window. For safety screens or other security devices contact your local building supply retailer.

GRILLES

SDL (Simulated Divided Lites) - extruded aluminum muntins permanently applied to the exterior of the insulating glass unit (not available on textured glass) in 5/8", 7/8", 1-1/8", or 1-3/8" widths. Profiles are bead stop in all widths, and a putty profile in 5/8", 7/8", and 1-1/8" widths only. SDL is standard with a light bronze internal shadow bar to give a true divided lite appearance. As an option, SDL may be ordered with a silver shadow bar. Clear wood interior muntin bars match the exterior muntin width and are permanently bonded to the interior of the glass. Also available is a 2-5/16" SDL bar, which simulates a double-hung checkrail.

Full-Surround Removable Wood Grilles - Rectangular, unfinished interior clear pine wood grilles in 7/8", 1-1/8", and 1-3/8" are available in patterns selected by the owner.

GBG (Grilles between the Glass) - 5/8" flat, 23/32" contour, or 1" contour grilles mounted between the glass panes suspended within the air cavity.

EXTERIOR TRIM

Drip cap and integral nailing fin standard with optional extruded aluminum brickmould, 3-1/2" flat, 3-1/2" Adams and Heritage trims. Optional mull covers to accommodate 1" (spread only), 2", 3-1/2" and 6" spread and stud pocket mull.

EXTENSION JAMBS

Extensions are applied to the interior on all four sides of the frame in wall depths up to 7-15/16" for 4/4 and up to 12-1/2" for 5/4, factory applied.

Continued on next page

PRODUCT SPECIFICATIONS

INSTALLATION

Installation per JELD-WEN Installation Method for Metal Clad Windows. See www.jeld-wen.com/resources for instructions.

PERFORMANCE

NFRC Certified - (rated and labeled in accordance with NFRC 100 and 200 procedures)

ANSI/AAMA/NWDA/101/I.S.2-97
AMMA/WDMA/CSA 101/I.S.2/A440-05
WDMA Hallmark Certified

See www.jeld-wen.com for architectural and performance information.

QUICK SPEC GUIDE

SPECIFICATION	STANDARD FEATURES	OPTIONAL FEATURES <i>Some options may require additional lead times. Consult your JELD-WEN Sales Representative.</i>				
EXTERIOR FINISH	<ul style="list-style-type: none"> • Brilliant White • Chestnut Bronze • Desert Sand • French Vanilla • Mesa Red • Hartford Green • Black Licorice • Heirloom White • Hunter Green • Redwood • Sage Brown • Smoke • Artic Silver • Dark Chocolate • Black Emerald • Bone White • Bronze • Buckskin • Cambridge White • Capri Blue • Cascade • Champagne • Clover Mist • Dark Buckskin • Dark Ivy • Deep Summer • Garnet • Haverstraw • Hudson Blue • Ivory • Ivy • Liberty Blue • Mocha Cream • Mosaic Green • Pueblo Tan • Rosewood • Scarlet Haze • Sea Foam • Teal • Wedgewood • White 	<ul style="list-style-type: none"> • Custom Color Matching 				
EXTERIOR TRIM	<ul style="list-style-type: none"> • Drip Cap & Integral Nailing Fin 	<ul style="list-style-type: none"> • Extruded Aluminum Brickmould • Adams Casing (2 pc) • 3-1/2" Flat Casing (2 pc) • Heritage Casing (2 pc) 				
INTERIOR WOOD	<ul style="list-style-type: none"> • Western Pine 	<ul style="list-style-type: none"> • Knotty Alder • Vertical Grain Douglas Fir • Mahogany 				
INTERIOR FINISH	<ul style="list-style-type: none"> • Natural 	<ul style="list-style-type: none"> • Priming Available <p>Pre-finished Interior Options are:</p> <ul style="list-style-type: none"> • Paint - Pure White, Extra White, Natural Choice, Moderate White • Stain - Wheat, Fruitwood, Cherry, Cordovan, Cider • Clear Lacquer 				
SIZE	<ul style="list-style-type: none"> • Standard sizes available in Full Rounds, Octagons, Casement Half Rounds, Casement Quarter Rounds, Double-Hung Half Rounds, Twin Double-Hung Half Rounds, Double-Hung Quarter Rounds, In-Swing and Out-Swing Patio Door Half Rounds in both true and replacement sizes. 	<ul style="list-style-type: none"> • Custom sizes and shapes from 6" to 120" • Smallest frame angle is 11 degrees • Smallest frame radius is 9" • Smallest full round is 18" diameter • Operating Geometrics cannot exceed 32" in width, cannot exceed 15 sq. ft., and the short leg must be 2/3 of the overall height. 				
GLAZING	<ul style="list-style-type: none"> • Low-E Insulating Glass (with Argon) • Low-E 366 • Preserve® Protective Film 	<table border="0"> <tr> <td> <ul style="list-style-type: none"> • Clear • Obscure • Reflective • Tints: Bronze, Gray, Green • Glue Chip • Safety Laminate in Clear, Bronze or Gray </td> <td> <ul style="list-style-type: none"> • Neat Glass • Seedy Reamy • Rain • Narrow Reed • Sandblasted • Tempered • Impact Resistant </td> </tr> <tr> <td colspan="2"> <ul style="list-style-type: none"> • High Altitude (Breather Tube, no Argon) </td> </tr> </table>	<ul style="list-style-type: none"> • Clear • Obscure • Reflective • Tints: Bronze, Gray, Green • Glue Chip • Safety Laminate in Clear, Bronze or Gray 	<ul style="list-style-type: none"> • Neat Glass • Seedy Reamy • Rain • Narrow Reed • Sandblasted • Tempered • Impact Resistant 	<ul style="list-style-type: none"> • High Altitude (Breather Tube, no Argon) 	
<ul style="list-style-type: none"> • Clear • Obscure • Reflective • Tints: Bronze, Gray, Green • Glue Chip • Safety Laminate in Clear, Bronze or Gray 	<ul style="list-style-type: none"> • Neat Glass • Seedy Reamy • Rain • Narrow Reed • Sandblasted • Tempered • Impact Resistant 					
<ul style="list-style-type: none"> • High Altitude (Breather Tube, no Argon) 						

Continued on next page

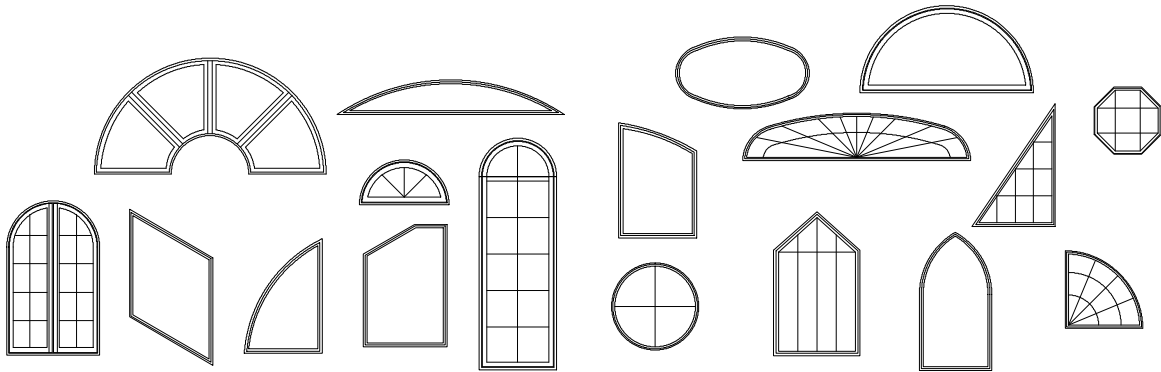
QUICK SPEC GUIDE

SPECIFICATION	STANDARD FEATURES	OPTIONAL FEATURES <i>Some options may require additional lead times. Consult your JELD-WEN Sales Representative.</i>
GRILLES		SDL Bead Profile: <ul style="list-style-type: none"> • 5/8", 7/8", 1-1/8", 1-3/8", 2-5/16" with Light Bronze Shadow Bar • 5/8", 7/8", 1-1/8", 1-3/8", 2-5/16" with Silver Shadow Bar SDL Putty Profile: <ul style="list-style-type: none"> • 5/8", 7/8" and 1-1/8" with Light Bronze Shadow Bar • 5/8", 7/8" and 1-1/8" with Silver Shadow Bar GBG (Grilles between the Glass): <ul style="list-style-type: none"> • 5/8" Flat, 23/32" Contour, 1" Contour Full-Surround: <ul style="list-style-type: none"> • 7/8", 1-1/8", 1-3/8"
HARDWARE		<ul style="list-style-type: none"> • Roto Operator (single arm) • Concealed Locking System
HARDWARE COLOR		<ul style="list-style-type: none"> • White • Chestnut Bronze • Desert Sand • Polished Brass • Antique Brass • Polished Chrome • Brushed Chrome • Oil-Rubbed Bronze
JAMB	<ul style="list-style-type: none"> • Applied, 4/4 • 4-9/16" 	<ul style="list-style-type: none"> • Up to 7-15/16" 4/4 • Up to 12-1/2" 5/4
INSECT SCREENS		<ul style="list-style-type: none"> • Fiberglass
SCREEN FRAME COLOR		<ul style="list-style-type: none"> • White • Chestnut Bronze • Desert Sand Wood Veneer (Interior) <ul style="list-style-type: none"> • Ponderosa Pine • Vertical Grain Douglas Fir • Mahogany • Knotty Alder

GENERAL INFORMATION

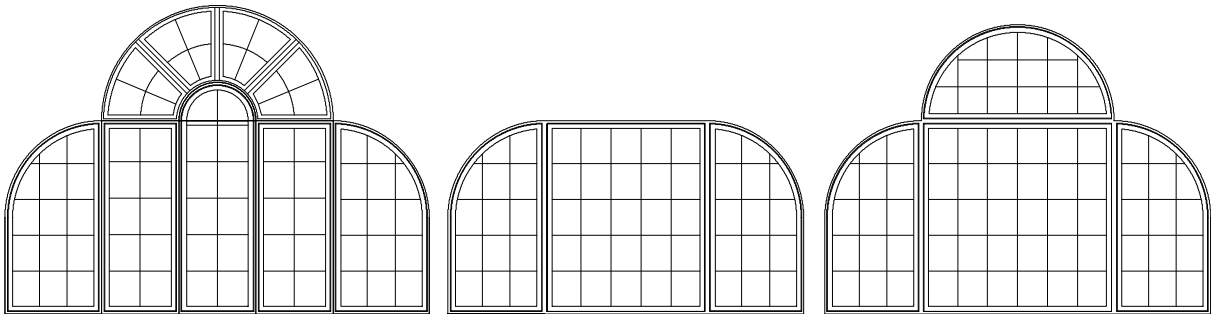
STANDARD SIZES & DESIGNS

Clad Epic geometric in-sash windows are produced one-at-a-time to customer order, and are available in a nearly infinite range of sizes and shapes. Specified sizes, angles, and radii can be attained in finished units, to meet the most demanding architectural requirements.




MULTIPLE ASSEMBLIES

Clad Epic in-sash geometric windows may be mullered above, below, or beside other clad geometric windows, or other clad window or patio door products. Factory assembled mulls are limited in height (100"), width (150"), and total area (75 square feet).

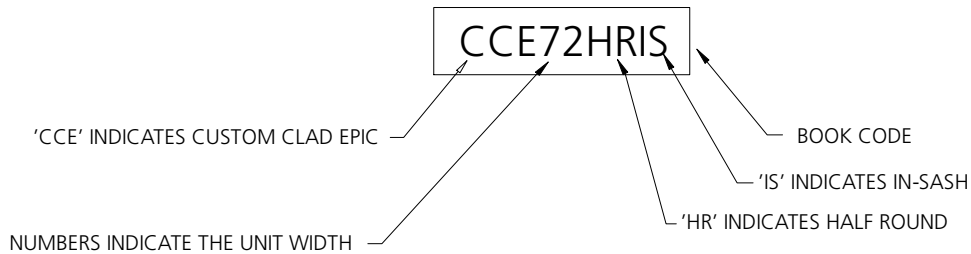
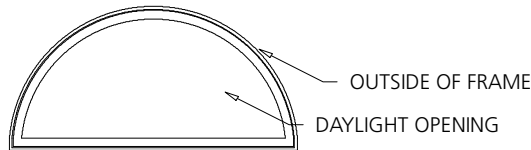


ELEVATION NOTES

ELEVATION DRAWINGS UTILIZE A LIMITED NUMBER OF PROJECTED LINES TO PRODUCE A RUDIMENTARY DRAWING INTENDED TO BE USED IN A SMALL GRAPHICAL SCALE. ELEVATIONS ARE VIEWED PERPENDICULAR FROM THE EXTERIOR OF THE STRUCTURE. IF MORE DIMENSIONS ARE NEEDED, USE THE SECTION DRAWINGS (Pages 14 & 15) FOR MORE COMPLETE DEPICTIONS.

M.O. Brickmould	75 1/4"(1911)	 <p>Masonry Openings for Brickmould, Flat & Adams Casing. Vertical measurements include sillnose. (Subtract 1/2" from Masonry Opening for Unit Size)</p>
M.O. Adams/Flat Casing	78 5/16"(1989)	
Rough Opening	72 3/4"(1848)	
Frame Size	72"(1829)	
Daylight Opening	65 7/8"(1673)	




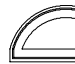
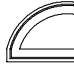












- 38 1/2"(978)
- 40"(1016)
- 36 3/4"(933)
- 36"(914)
- 29 7/8"(759)



GENERAL NOTES

1. UNIT ELEVATIONS ARE SHOWN WITHOUT EXTERIOR TRIM.
2. VALUES IN () ARE MILLIMETER CONVERSIONS.

CASEMENT HALF ROUND UNITS

<p>M.O. BRICKMOULD M.O. ADAMS/FLAT CASING ROUGH OPENING FRAME SIZE DAYLIGHT OPENING</p>	<p>21 1/4"(540) 24 5/16"(618) 18 3/4"(476) 18"(457) 11 7/8"(302)</p>	 <p>CCE18HRIS</p>	<p>23 1/4"(591) 26 5/16"(668) 20 3/4"(527) 20"(508) 13 7/8"(352)</p>	 <p>CCE20HRIS</p>	<p>27 1/4"(692) 30 5/16"(770) 24 3/4"(629) 24"(610) 17 7/8"(454)</p>	 <p>CCE24HRIS</p>	<p>31 1/4"(794) 34 5/16"(872) 28 3/4"(730) 28"(711) 21 7/8"(556)</p>	 <p>CCE28HRIS</p>	<p>33 1/4"(845) 36 5/16"(922) 30 3/4"(781) 30"(762) 23 7/8"(607)</p>	 <p>CCE30HRIS</p>
	<p>11 1/2"(292) 13"(330) 9 3/4"(248) 9"(229) 2 7/8"(73)</p>		<p>12 1/2"(318) 14"(356) 10 3/4"(273) 10"(254) 3 7/8"(98)</p>		<p>14 1/2"(368) 16"(406) 12 3/4"(324) 12"(305) 5 7/8"(149)</p>		<p>16 1/2"(419) 18"(457) 14 3/4"(375) 14"(356) 7 7/8"(200)</p>		<p>17 1/2"(445) 19"(483) 15 3/4"(400) 15"(381) 8 7/8"(225)</p>	
<p>M.O. BRICKMOULD M.O. ADAMS/FLAT CASING ROUGH OPENING FRAME SIZE DAYLIGHT OPENING</p>	<p>35 1/4"(895) 38 5/16"(973) 32 3/4"(832) 32"(813) 25 7/8"(657)</p>	 <p>CCE32HRIS</p>	<p>39 1/4"(997) 42 5/16"(1075) 36 3/4"(933) 36"(914) 29 7/8"(759)</p>	 <p>CCE36HRIS</p>	<p>43 1/4"(1099) 46 5/16"(1176) 40 3/4"(1035) 40"(1016) 33 7/8"(860)</p>	 <p>CCE40HRIS</p>	<p>45 1/4"(1149) 48 5/16"(1227) 42 3/4"(1086) 42"(1067) 35 7/8"(911)</p>	 <p>CCE42HRIS</p>		
	<p>18 1/2"(470) 20"(508) 16 3/4"(425) 16"(406) 9 7/8"(251)</p>		<p>20 1/2"(521) 22"(559) 18 3/4"(476) 18"(457) 11 7/8"(302)</p>		<p>22 1/2"(572) 24"(610) 20 3/4"(527) 20"(508) 13 7/8"(352)</p>		<p>23 1/2"(597) 25"(635) 21 3/4"(552) 21"(533) 14 7/8"(378)</p>			
<p>M.O. BRICKMOULD M.O. ADAMS/FLAT CASING ROUGH OPENING FRAME SIZE DAYLIGHT OPENING</p>	<p>51 1/4"(1302) 54 5/16"(1380) 48 3/4"(1238) 48"(1219) 41 7/8"(1064)</p>	 <p>CCE48HRIS</p>	<p>57 1/4"(1454) 60 5/16"(1532) 54 3/4"(1391) 54"(1372) 47 7/8"(1216)</p>	 <p>CCE54HRIS</p>	<p>59 1/4"(1505) 62 5/16"(1583) 56 3/4"(1441) 56"(1422) 49 7/8"(1267)</p>	 <p>CCE56HRIS</p>				
	<p>26 1/2"(673) 28"(711) 24 3/4"(629) 24"(610) 17 7/8"(454)</p>		<p>29 1/2"(749) 31"(787) 27 3/4"(705) 27"(666) 20 7/8"(530)</p>		<p>30 1/2"(775) 32"(813) 28 3/4"(730) 28"(711) 21 7/8"(556)</p>					
<p>M.O. BRICKMOULD M.O. ADAMS/FLAT CASING ROUGH OPENING FRAME SIZE DAYLIGHT OPENING</p>	<p>63 1/4"(1607) 66 5/16"(1684) 60 3/4"(1543) 60"(1524) 53 7/8"(1368)</p>	 <p>CCE60HRIS</p>	<p>67 1/4"(1708) 70 5/16"(1786) 64 3/4"(1645) 64"(1626) 57 7/8"(1470)</p>	 <p>CCE64HRIS</p>	<p>69 1/4"(1759) 72 5/16"(1837) 66 3/4"(1695) 66"(1676) 59 7/8"(1521)</p>	 <p>CCE66HRIS</p>				
	<p>32 1/2"(826) 34"(864) 30 3/4"(781) 30"(762) 23 7/8"(607)</p>		<p>34 1/2"(876) 36"(914) 32 3/4"(832) 32"(813) 25 7/8"(657)</p>		<p>35 1/2"(902) 37"(940) 33 3/4"(857) 33"(838) 26 7/8"(683)</p>					
<p>M.O. BRICKMOULD M.O. ADAMS/FLAT CASING ROUGH OPENING FRAME SIZE DAYLIGHT OPENING</p>	<p>75 1/4"(1911) 78 5/16"(1989) 72 3/4"(1848) 72"(1829) 65 7/8"(1673)</p>	 <p>CCE72HRIS</p>	<p>87 1/4"(2216) 90 5/16"(2294) 84 3/4"(2153) 84"(2134) 77 7/8"(1978)</p>	 <p>CCE84HRIS</p>						
	<p>38 1/2"(978) 40"(1016) 36 3/4"(933) 36"(914) 29 7/8"(759)</p>		<p>44 1/2"(1130) 46"(1168) 42 3/4"(1086) 42"(1067) 35 7/8"(911)</p>							

ELEVATION SYMBOL LEGEND:

M.O. = MASONRY OPENING
VALUES IN () ARE IN MILLIMETER CONVERSIONS.

Note: Elevations shown DO NOT have exterior trim. Subtract 1/2" (12.7) from M.O. (Masonry Opening) for Unit Sizes. Masonry Openings above include Sill Nose, see Trim Options page for Sill Nose specifications. For other Trim Options refer to the Unit Sizing, Rough Opening & Masonry Openings page.

SCALE: 1/4" = 1'

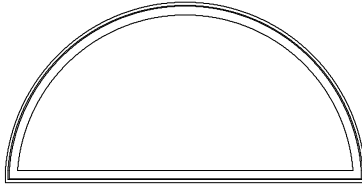
CASEMENT HALF ROUND UNITS

M.O. BRICKMOULD
M.O. ADAMS/FLAT CASING
ROUGH OPENING
FRAME SIZE
DAYLIGHT OPENING

93 1/4" (2369)
96 5/16" (2446)
90 3/4" (2305)
90" (2286)
83 7/8" (2130)

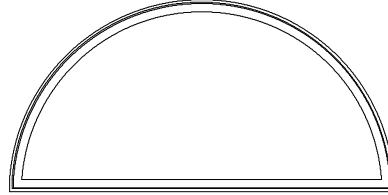
99 1/4" (2521)
102 5/16" (2599)
96 3/4" (2457)
96" (2438)
89 7/8" (2283)

47 1/2" (1207)
49" (1245)
45 3/4" (1162)
45" (1143)
38 7/8" (987)



CCE90HRIS

50 1/2" (1283)
52" (1321)
48 3/4" (1238)
48" (1219)
41 7/8" (1064)



CCE96HRIS

ELEVATION SYMBOL LEGEND:

M.O. = MASONRY OPENING
VALUES IN () ARE IN MILLIMETER CONVERSIONS.

Note: Elevations shown DO NOT have exterior trim. Subtract 1/2" (12.7) from M.O. (Masonry Opening) for Unit Sizes. Masonry Openings above include Sill Nose, see Trim Options page for Sill Nose specifications. For other Trim Options refer to the Unit Sizing, Rough Opening & Masonry Openings page.

SCALE: 1/4" = 1'

CASEMENT QUARTER ROUND UNITS

M.O. BRICKMOULD 20 1/2" (521)
M.O. ADAMS/FLAT CASING 22" (559)
ROUGH OPENING 18 3/4" (476)
FRAME SIZE 18" (457)
DAYLIGHT OPENING 11 7/8" (302)

22 1/2" (572)
24" (610)
20 3/4" (527)
20" (508)
13 7/8" (352)

26 1/2" (673)
28" (711)
24 3/4" (629)
24" (610)
17 7/8" (454)

30 1/2" (775)
32" (813)
28 3/4" (730)
28" (711)
21 7/8" (556)

32 1/2" (826)
34" (864)
30 3/4" (781)
30" (762)
23 7/8" (607)

20 1/2" (521)
22" (559)
18 3/4" (476)
18" (457)
11 7/8" (302)



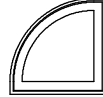
CCE18QRIS

22 1/2" (572)
24" (610)
20 3/4" (527)
20" (508)
13 7/8" (352)



CCE20QRIS

26 1/2" (673)
28" (711)
24 3/4" (629)
24" (610)
17 7/8" (454)



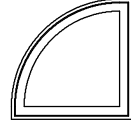
CCE24QRIS

30 1/2" (775)
32" (813)
28 3/4" (730)
28" (711)
21 7/8" (556)



CCE28QRIS

32 1/2" (826)
34" (864)
30 3/4" (781)
30" (762)
23 7/8" (607)



CCE30QRIS

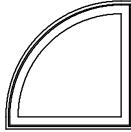
M.O. BRICKMOULD 34 1/2" (876)
M.O. ADAMS/FLAT CASING 36" (914)
ROUGH OPENING 32 3/4" (832)
FRAME SIZE 32" (813)
DAYLIGHT OPENING 25 7/8" (657)

38 1/2" (978)
40" (1016)
36 3/4" (933)
36" (914)
29 7/8" (759)

44 1/2" (1130)
46" (1168)
42 3/4" (1086)
42" (1067)
35 7/8" (911)

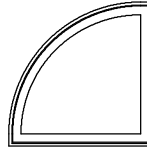
50 1/2" (1283)
52" (1321)
48 3/4" (1238)
48" (1219)
41 7/8" (1064)

34 1/2" (876)
36" (914)
32 3/4" (832)
32" (813)
25 7/8" (657)



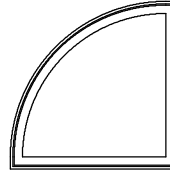
CCE32QRIS

38 1/2" (978)
40" (1016)
36 3/4" (933)
36" (914)
29 7/8" (759)



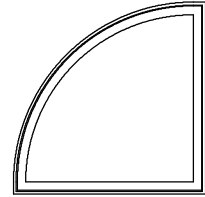
CCE36QRIS

44 1/2" (1130)
46" (1168)
42 3/4" (1086)
42" (1067)
35 7/8" (911)



CCE42QRIS

50 1/2" (1283)
52" (1321)
48 3/4" (1238)
48" (1219)
41 7/8" (1064)



CCE48QRIS









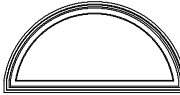

ELEVATION SYMBOL LEGEND:

M.O. = MASONRY OPENING
VALUES IN () ARE IN MILLIMETER CONVERSIONS.

Note: Elevations shown DO NOT have exterior trim. Subtract 1/2" (12.7) from M.O. (Masonry Opening) for Unit Sizes. Masonry Openings above include Sill Nose, see Trim Options page for Sill Nose specifications. For other Trim Options refer to the Unit Sizing, Rough Opening & Masonry Openings page.

SCALE: 1/4" = 1'

DOUBLE-HUNG HALF ROUND UNITS

<p>M.O. BRICKMOULD 24 5/8" (625) M.O. ADAMS/FLAT CASING 27 11/16" (703) ROUGH OPENING 22 1/8" (562) FRAME SIZE 21 3/8" (543) DAYLIGHT OPENING 15 3/16" (386)</p>	<p>13 3/16" (335) 14 11/16" (373) 11 7/16" (291) 10 11/16" (271) 4 9/16" (116)</p>  <p>CCED21HRIS</p>	<p>28 5/8" (727) 31 11/16" (805) 26 1/8" (664) 25 3/8" (645) 19 3/16" (487)</p>  <p>CCED25HRIS</p>	<p>32 5/8" (829) 35 11/16" (906) 30 1/8" (765) 29 3/8" (746) 23 3/16" (589)</p>  <p>CCED29HRIS</p>	<p>34 5/8" (879) 37 11/16" (957) 32 1/8" (816) 31 3/8" (797) 25 3/16" (640)</p>  <p>CCED31HRIS</p>
<p>M.O. BRICKMOULD 36 5/8" (930) M.O. ADAMS/FLAT CASING 39 11/16" (1008) ROUGH OPENING 34 1/8" (867) FRAME SIZE 33 3/8" (848) DAYLIGHT OPENING 27 3/16" (691)</p>	<p>19 3/16" (487) 20 11/16" (525) 17 7/16" (443) 16 11/16" (424) 10 9/16" (268)</p>  <p>CCED33HRIS</p>	<p>38 5/8" (981) 41 11/16" (1059) 36 1/8" (918) 35 3/8" (899) 29 3/16" (741)</p>  <p>CCED35HRIS</p>	<p>40 5/8" (1032) 43 11/16" (1110) 38 1/8" (968) 37 3/8" (949) 31 3/16" (762)</p>  <p>CCED37HRIS</p>	
<p>M.O. BRICKMOULD 44 5/8" (1133) M.O. ADAMS/FLAT CASING 47 11/16" (1211) ROUGH OPENING 42 1/8" (1070) FRAME SIZE 41 3/8" (1051) DAYLIGHT OPENING 35 3/16" (894)</p>	<p>23 3/16" (589) 24 11/16" (627) 21 7/16" (545) 20 11/16" (525) 14 9/16" (370)</p>  <p>CCED41HRIS</p>	<p>48 5/8" (1235) 51 11/16" (1312) 46 1/8" (1172) 45 3/8" (1153) 39 3/16" (995)</p>  <p>CCED45HRIS</p>	<p>52 5/8" (1337) 55 11/16" (1414) 50 1/8" (1273) 49 3/8" (1254) 43 3/16" (1097)</p>  <p>CCED49HRIS</p>	

ELEVATION SYMBOL LEGEND:

M.O. = MASONRY OPENING
VALUES IN () ARE IN MILLIMETER CONVERSIONS.

Note: Elevations shown DO NOT have exterior trim. Subtract 1/2" (12.7) from M.O. (Masonry Opening) for Unit Sizes. Masonry Openings above include Sill Nose, see Trim Options page for Sill Nose specifications. For other Trim Options refer to the Unit Sizing, Rough Opening & Masonry Openings page.

SCALE: 1/4" = 1'

DOUBLE-HUNG HALF ROUND UNITS

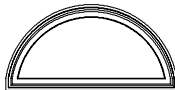
M.O. BRICKMOULD
M.O. ADAMS/FLAT CASING
ROUGH OPENING
FRAME SIZE
DAYLIGHT OPENING

46" (1168)
49 1/16" (1246)
43 1/2" (1105)
42 3/4" (1086)
36 9/16" (929)

54" (1372)
57 1/16" (1449)
51 1/2" (1308)
50 3/4" (1289)
44 9/16" (1132)

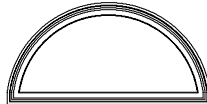
62" (1575)
65 1/16" (1653)
59 1/2" (1511)
58 3/4" (1492)
52 9/16" (1335)

23 7/8" (607)
25 3/8" (645)
22 1/8" (562)
21 3/8" (543)
15 1/4" (387)



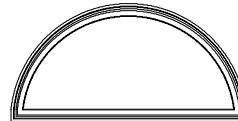
CCED21-2HRIS

27 7/8" (708)
29 3/8" (746)
26 1/8" (664)
25 3/8" (645)
19 1/4" (489)



CCED25-2HRIS

31 7/8" (810)
33 3/8" (848)
30 1/8" (765)
29 3/8" (746)
23 1/4" (591)



CCED29-2HRIS

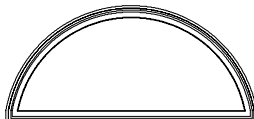
M.O. BRICKMOULD
M.O. ADAMS/FLAT CASING
ROUGH OPENING
FRAME SIZE
DAYLIGHT OPENING

66" (1651)
69 1/16" (1754)
63 1/2" (1613)
62 3/4" (1594)
56 9/16" (1437)

70" (1778)
73 1/16" (1856)
67 1/2" (1715)
66 3/4" (1695)
60 9/16" (1538)

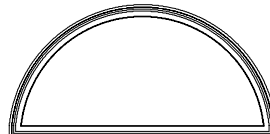
74" (1880)
77 1/16" (1957)
71 1/2" (1816)
70 3/4" (1797)
64 9/16" (1640)

33 7/8" (860)
35 3/8" (899)
32 1/8" (816)
31 3/8" (797)
25 1/4" (641)



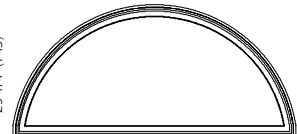
CCED31-2HRIS

35 7/8" (911)
37 3/8" (949)
34 1/8" (867)
33 3/8" (848)
27 1/4" (692)



CCED33-2HRIS

37 7/8" (962)
39 3/8" (1000)
36 1/8" (918)
35 3/8" (899)
29 1/4" (743)



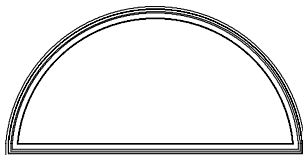
CCED35-2HRIS

M.O. BRICKMOULD
M.O. ADAMS/FLAT CASING
ROUGH OPENING
FRAME SIZE
DAYLIGHT OPENING

78" (1981)
81 1/16" (2059)
75 1/2" (1918)
74 3/4" (1899)
68 9/16" (1741)

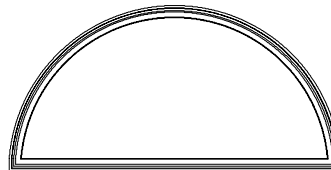
86" (2184)
89 1/16" (2262)
83 1/2" (2121)
82 3/4" (2102)
76 9/16" (1945)

39 7/8" (1013)
41 3/8" (1051)
38 1/8" (968)
37 3/8" (949)
31 1/4" (794)



CCED37-2HRIS

43 7/8" (1114)
45 3/8" (1153)
42 1/8" (1070)
41 3/8" (1051)
35 1/4" (895)



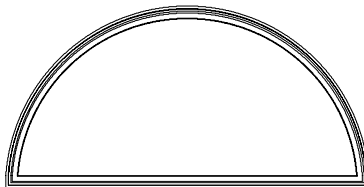
CCED41-2HRIS

M.O. BRICKMOULD
M.O. ADAMS/FLAT CASING
ROUGH OPENING
FRAME SIZE
DAYLIGHT OPENING

94" (2388)
97 1/16" (2465)
91 1/2" (2324)
90 3/4" (2305)
84 9/16" (2148)

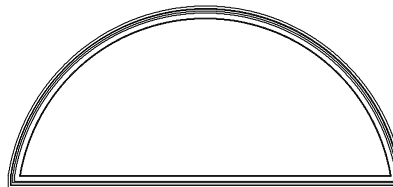
102" (2591)
105 1/16" (2669)
99 1/2" (2527)
98 3/4" (2508)
92 9/16" (2351)

47 7/8" (1216)
49 3/8" (1254)
46 1/8" (1172)
45 3/8" (1153)
39 1/4" (997)



CCED45-2HRIS

51 7/8" (1318)
53 3/8" (1356)
50 1/8" (1273)
49 3/8" (1254)
43 1/4" (1099)



CCED49-2HRIS

ELEVATION SYMBOL LEGEND:

M.O. = MASONRY OPENING
VALUES IN () ARE IN MILLIMETER CONVERSIONS.

Note: Elevations shown DO NOT have exterior trim. Subtract 1/2" (12.7) from M.O. (Masonry Opening) for Unit Sizes. Masonry Openings above include Sill Nose, see Trim Options page for Sill Nose specifications. For other Trim Options refer to the Unit Sizing, Rough Opening & Masonry Openings page.

SCALE: 1/4" = 1'

DOUBLE-HUNG QUARTER ROUND UNITS

M.O. BRICKMOULD 24 5/8" (625)
M.O. ADAMS/FLAT CASING 27 11/16" (703)
ROUGH OPENING 22 1/8" (562)
FRAME SIZE 21 3/8" (543)
DAYLIGHT OPENING 15 3/16" (386)

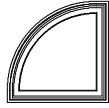
24 5/8" (625)
27 11/16" (703)
22 1/8" (562)
21 3/8" (543)
15 3/16" (386)



CCED21QRIS

28 5/8" (727)
31 11/16" (805)
26 1/8" (664)
25 3/8" (645)
19 3/16" (487)

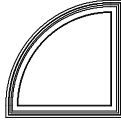
28 5/8" (727)
31 11/16" (805)
26 1/8" (664)
25 3/8" (645)
19 3/16" (487)



CCED25QRIS

32 5/8" (829)
35 11/16" (906)
30 1/8" (765)
29 3/8" (746)
23 3/16" (589)

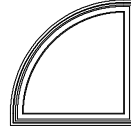
32 5/8" (829)
35 11/16" (906)
30 1/8" (765)
29 3/8" (746)
23 3/16" (589)



CCED29QRIS

34 5/8" (879)
37 11/16" (957)
32 1/8" (816)
31 3/8" (797)
25 3/16" (640)

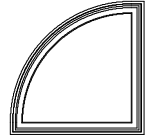
34 5/8" (879)
37 11/16" (957)
32 1/8" (816)
31 3/8" (797)
25 3/16" (640)



CCED31QRIS

36 5/8" (930)
39 11/16" (1008)
34 1/8" (867)
33 3/8" (848)
27 3/16" (691)

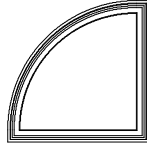
36 5/8" (930)
39 11/16" (1008)
34 1/8" (867)
33 3/8" (848)
27 3/16" (691)



CCED33QRIS

M.O. BRICKMOULD 38 5/8" (981)
M.O. ADAMS/FLAT CASING 41 11/16" (1059)
ROUGH OPENING 36 1/8" (918)
FRAME SIZE 35 3/8" (899)
DAYLIGHT OPENING 29 3/16" (741)

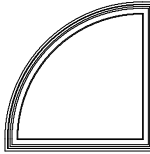
38 5/8" (981)
41 11/16" (1059)
36 1/8" (918)
35 3/8" (899)
29 3/16" (741)



CCED35QRIS

40 5/8" (1032)
43 11/16" (1110)
38 1/8" (968)
37 3/8" (949)
31 3/16" (762)

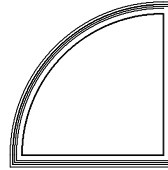
40 5/8" (1032)
43 11/16" (1110)
38 1/8" (968)
37 3/8" (949)
31 3/16" (762)



CCED37QRIS

44 5/8" (1133)
47 11/16" (1211)
42 1/8" (1070)
41 3/8" (1051)
35 3/16" (894)

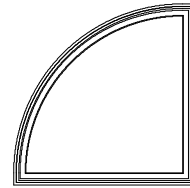
44 5/8" (1133)
47 11/16" (1211)
42 1/8" (1070)
41 3/8" (1051)
35 3/16" (894)



CCED41QRIS

48 5/8" (1235)
51 11/16" (1312)
46 1/8" (1172)
45 3/8" (1153)
39 3/16" (995)

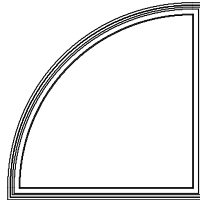
48 5/8" (1235)
51 11/16" (1312)
46 1/8" (1172)
45 3/8" (1153)
39 3/16" (995)



CCED45QRIS

M.O. BRICKMOULD 52 5/8" (1337)
M.O. ADAMS/FLAT CASING 55 11/16" (1414)
ROUGH OPENING 50 1/8" (1273)
FRAME SIZE 49 3/8" (1254)
DAYLIGHT OPENING 43 3/16" (1097)

52 5/8" (1337)
55 11/16" (1414)
50 1/8" (1273)
49 3/8" (1254)
43 3/16" (1097)



CCED49QRIS

ELEVATION SYMBOL LEGEND:

M.O. = MASONRY OPENING
VALUES IN () ARE IN MILLIMETER CONVERSIONS.

Note: Elevations shown DO NOT have exterior trim. Subtract 1/2" (12.7) from M.O. (Masonry Opening) for Unit Sizes. Masonry Openings above include Sill Nose, see Trim Options page for Sill Nose specifications. For other Trim Options refer to the Unit Sizing, Rough Opening & Masonry Openings page.

SCALE: 1/4" = 1'

IN-SWING PATIO DOOR HALF ROUND UNITS

M.O. BRICKMOLD 26 11/16" (678)
M.O. ADAMS/FLAT CASING 29 3/4" (756)
ROUGH OPENING 24 3/16" (614)
FRAME SIZE 23 7/16" (595)
DAYLIGHT OPENING 17 5/16" (440)

14 1/4" (362)
15 3/4" (400)
12 1/2" (318)
11 3/4" (298)
5 5/8" (143)



CCEIPD20HRIS

32 11/16" (830)
35 3/4" (908)
30 3/16" (767)
29 7/16" (748)
23 5/16" (592)

17 1/4" (438)
18 3/4" (476)
15 1/2" (394)
14 3/4" (375)
8 3/8" (215)



CCEIPD26HRIS

34 11/16" (881)
37 3/4" (959)
32 3/16" (818)
31 7/16" (799)
25 5/16" (643)

18 1/4" (464)
19 3/4" (502)
16 1/2" (419)
15 3/4" (400)
9 5/8" (244)



CCEIPD28HRIS

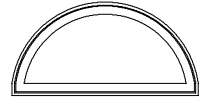
38 11/16" (983)
41 3/4" (1060)
36 3/16" (919)
35 7/16" (900)
29 5/16" (745)



CCEIPD30HRIS

49 7/8" (1267)
52 15/16" (1345)
47 3/8" (1203)
46 5/8" (1184)
40 1/2" (1029)

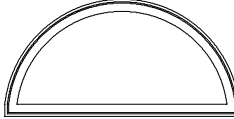
20 1/4" (514)
21 3/4" (552)
18 1/2" (470)
17 3/4" (451)
11 5/8" (295)



CCEIPD40HRIS

M.O. BRICKMOLD 61 7/8" (1572)
M.O. ADAMS/FLAT CASING 64 15/16" (1649)
ROUGH OPENING 59 3/8" (1508)
FRAME SIZE 58 5/8" (1489)
DAYLIGHT OPENING 52 1/2" (1334)

32 13/16" (833)
33 5/16" (846)
30 1/16" (764)
29 5/16" (745)
23 3/16" (589)



CCEIPD50HRIS

65 7/8" (1673)
68 15/16" (1751)
63 3/8" (1609)
62 5/8" (1591)
56 1/2" (1435)



CCEIPD54HRIS

73 7/8" (1876)
76 15/16" (1954)
71 3/8" (1813)
70 5/8" (1794)
64 1/2" (1638)

34 13/16" (884)
35 5/16" (897)
32 1/16" (814)
31 5/16" (795)
25 3/16" (640)



CCEIPD60HRIS

M.O. BRICKMOLD 28 11/16" (729)
M.O. ADAMS/FLAT CASING 31 3/4" (806)
ROUGH OPENING 26 3/16" (665)
FRAME SIZE 25 7/16" (646)
DAYLIGHT OPENING 19 5/16" (491)

15 1/4" (387)
16 3/4" (425)
13 1/2" (343)
12 3/4" (324)
6 5/8" (168)



CCEIPDT20HRIS

36 11/16" (932)
39 3/4" (1010)
34 3/16" (868)
33 7/16" (849)
27 5/16" (694)



CCEIPDT28HRIS

40 11/16" (1033)
43 3/4" (1111)
38 3/16" (970)
37 7/16" (951)
31 5/16" (795)

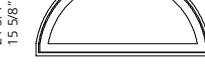
19 1/4" (489)
20 3/4" (527)
17 1/2" (445)
16 3/4" (425)
10 5/8" (270)



CCEIPDT30HRIS

46 11/16" (1186)
49 3/4" (1264)
44 3/16" (1122)
43 7/16" (1103)
37 5/16" (948)

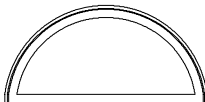
21 1/4" (540)
22 3/4" (578)
19 1/2" (495)
18 3/4" (476)
12 5/8" (321)



CCEIPDT36HRIS

M.O. BRICKMOLD 53 7/8" (1368)
M.O. ADAMS/FLAT CASING 56 15/16" (1446)
ROUGH OPENING 51 3/8" (1305)
FRAME SIZE 50 5/8" (1286)
DAYLIGHT OPENING 44 1/2" (1130)

28 13/16" (732)
29 5/16" (745)
26 1/16" (662)
25 5/16" (643)
19 3/16" (487)



CCEIPDT40HRIS

69 7/8" (1775)
72 15/16" (1853)
67 3/8" (1711)
66 5/8" (1692)
60 1/2" (1537)

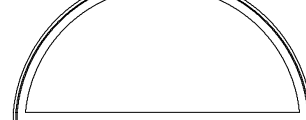
36 13/16" (935)
37 5/16" (948)
34 1/16" (865)
33 5/16" (846)
27 3/16" (691)



CCEIPDT54HRIS

77 7/8" (1978)
80 15/16" (2056)
75 3/8" (1915)
74 5/8" (1895)
68 1/2" (1740)

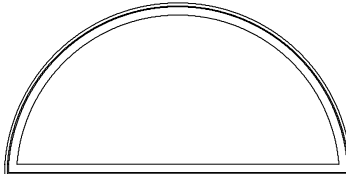
40 13/16" (1037)
41 5/16" (1049)
38 1/16" (967)
37 5/16" (948)
31 3/16" (792)



CCEIPDT60HRIS

M.O. BRICKMOLD 89 7/8" (2283)
M.O. ADAMS/FLAT CASING 92 15/16" (2361)
ROUGH OPENING 87 3/8" (2219)
FRAME SIZE 86 5/8" (2200)
DAYLIGHT OPENING 80 1/2" (2045)

46 13/16" (1189)
47 5/16" (1202)
44 1/16" (1119)
43 5/16" (1100)
37 3/16" (945)



CCEIPDT70HRIS

ELEVATION SYMBOL LEGEND:

M.O. = MASONRY OPENING
VALUES IN () ARE IN MILLIMETER CONVERSIONS.

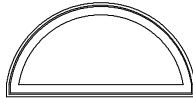
Note: Elevations shown DO NOT have exterior trim. Subtract 1/2" (12.7) from M.O. (Masonry Opening) for Unit Sizes. Masonry Openings above include Sill Nose, see Trim Options page for Sill Nose specifications. For other Trim Options refer to the Unit Sizing, Rough Opening & Masonry Openings page.

SCALE: 1/4" = 1'

OUT-SWING PATIO DOOR HALF ROUND UNITS

M.O. BRICKMOULD 50 7/16" (1281)
M.O. ADAMS/FLAT CASING 53 1/2" (1359)
ROUGH OPENING 47 15/16" (1217)
FRAME SIZE 47 3/16" (1199)
DAYLIGHT OPENING 41 1/16" (1043)

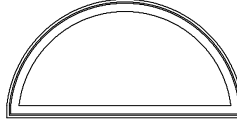
27 1/8" (688)
27 5/8" (703)
24 3/8" (619)
23 5/8" (600)
17 1/2" (445)



CCEOPD40HRIS

62 7/16" (1586)
65 1/2" (1664)
59 15/16" (1522)
59 3/16" (1503)
53 1/16" (1348)

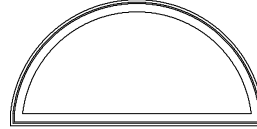
33 1/8" (841)
33 5/8" (854)
30 3/8" (772)
29 5/8" (752)
23 1/2" (597)



CCEOPD50HRIS

66 7/16" (1688)
69 1/2" (1765)
63 15/16" (1624)
63 3/16" (1605)
57 1/16" (1449)

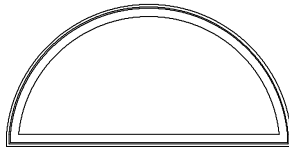
35 1/8" (893)
32 5/8" (835)
32 3/8" (827)
31 5/8" (803)
25 1/2" (648)



CCEOPD54HRIS

M.O. BRICKMOULD 74 7/16" (1891)
M.O. ADAMS/FLAT CASING 77 1/2" (1969)
ROUGH OPENING 71 15/16" (1827)
FRAME SIZE 71 3/16" (1808)
DAYLIGHT OPENING 65 1/16" (1653)

39 1/8" (994)
36 5/8" (936)
36 3/8" (927)
35 5/8" (903)
29 1/2" (749)



CCEOPD60HRIS

ELEVATION SYMBOL LEGEND:

M.O. = MASONRY OPENING
VALUES IN () ARE IN MILLIMETER CONVERSIONS.

Note: Elevations shown DO NOT have exterior trim. Subtract 1/2" (12.7) from M.O. (Masonry Opening) for Unit Sizes. Masonry Openings above include Sill Nose, see Trim Options page for Sill Nose specifications. For other Trim Options refer to the Unit Sizing, Rough Opening & Masonry Openings page.

OUT-SWING PATIO DOOR HALF ROUND UNITS

M.O. BRICKMOULD 29 1/4"(743)
M.O. ADAMS/FLAT CASING 32 5/16"(821)
ROUGH OPENING 26 3/4"(679)
FRAME SIZE 26"(660)
DAYLIGHT OPENING 19 7/8"(505)

16 1/2"(419)
17"(432)
13 3/4"(349)
13"(330)
6 7/8"(175)



CCEOPDT20HRIS

20 1/2"(521)
21"(533)
17 3/4"(451)
17"(432)
10 7/8"(276)



CCEOPDT28HRIS

22 1/2"(572)
23"(584)
19 3/4"(502)
19"(483)
12 7/8"(327)



CCEOPDT30HRIS

25 1/2"(648)
26"(660)
22 3/4"(578)
22"(559)
15 7/8"(403)



CCEOPDT36HRIS

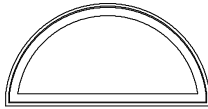
37 1/4"(946)
40 5/16"(1024)
34 3/4"(883)
34"(864)
27 7/8"(708)

41 1/4"(1048)
44 5/16"(1126)
38 3/4"(984)
38"(965)
31 7/8"(810)

47 1/4"(1200)
50 5/16"(1278)
44 3/4"(1137)
44"(1118)
37 7/8"(962)

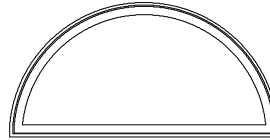
M.O. BRICKMOULD 54 7/16"(1383)
M.O. ADAMS/FLAT CASING 57 1/2"(1460)
ROUGH OPENING 51 15/16"(1319)
FRAME SIZE 51 3/16"(1300)
DAYLIGHT OPENING 45 1/16"(1145)

29 1/8"(740)
29 5/8"(752)
26 3/8"(670)
25 5/8"(651)
19 1/2"(495)



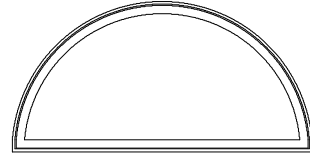
CCEOPDT40HRIS

37 1/8"(943)
37 5/8"(956)
34 3/8"(873)
33 5/8"(854)
27 1/2"(699)



CCEOPDT54HRIS

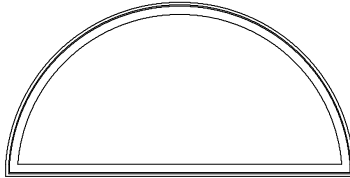
41 1/8"(1045)
41 5/8"(1057)
38 3/8"(975)
37 5/8"(956)
31 1/2"(800)



CCEOPDT60HRIS

M.O. BRICKMOULD 90 7/16"(2297)
M.O. ADAMS/FLAT CASING 93 1/2"(2380)
ROUGH OPENING 87 15/16"(2234)
FRAME SIZE 87 3/16"(2215)
DAYLIGHT OPENING 81 1/16"(2059)

47 1/8"(1197)
47 5/8"(1210)
44 3/8"(1127)
43 5/8"(1108)
37 1/2"(953)



CCEOPDT70HRIS

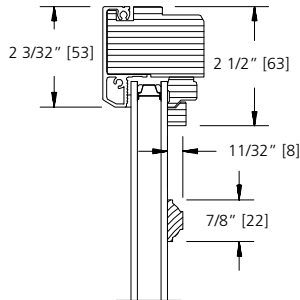
ELEVATION SYMBOL LEGEND:

M.O. = MASONRY OPENING
VALUES IN () ARE IN MILLIMETER CONVERSIONS.

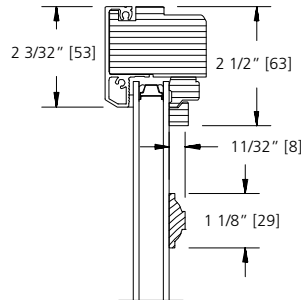
Note: Elevations shown DO NOT have exterior trim. Subtract 1/2" (12.7) from M.O. (Masonry Opening) for Unit Sizes. Masonry Openings above include Sill Nose, see Trim Options page for Sill Nose specifications. For other Trim Options refer to the Unit Sizing, Rough Opening & Masonry Openings page.

GLAZING OPTIONS

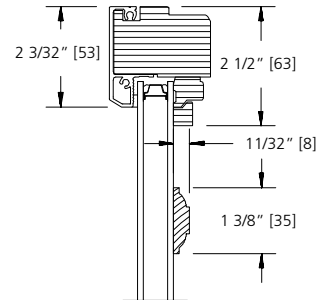
INTERIOR GLAZED
INSULATED 3/4" [19] GLASS



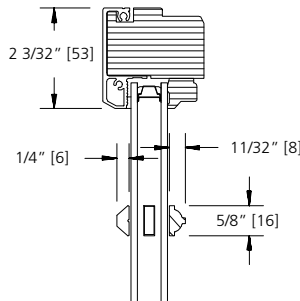
7/8" GRILLE BAR



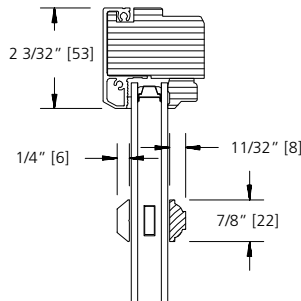
1 1/8" GRILLE BAR



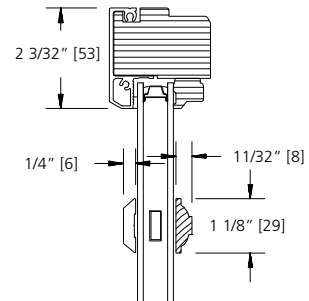
1 3/8" GRILLE BAR



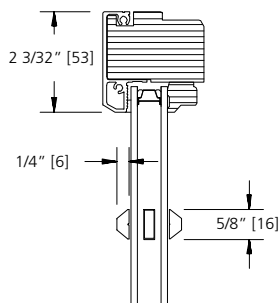
**5/8" SDL BAR
(PUTTY/BEAD)**



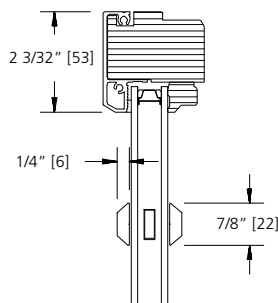
**7/8" SDL BAR
(PUTTY/BEAD)**



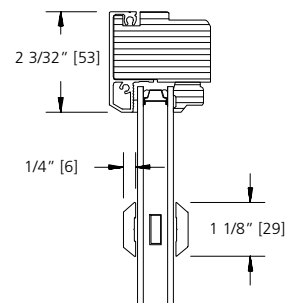
**1 1/8" SDL BAR
(PUTTY/BEAD)**



**5/8" SDL BAR
(PUTTY/PUTTY)**



**7/8" SDL BAR
(PUTTY/PUTTY)**



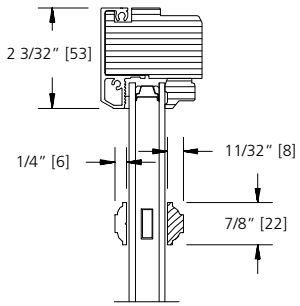
**1 1/8" SDL BAR
(PUTTY/PUTTY)**

Continued on next page

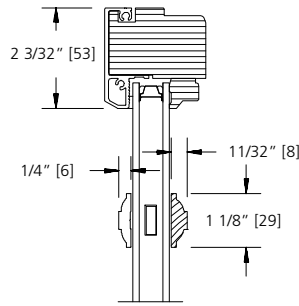
Scale: 3" = 1'

GLAZING OPTIONS

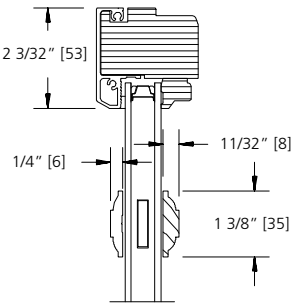
INTERIOR GLAZED
INSULATED 3/4" [19] GLASS



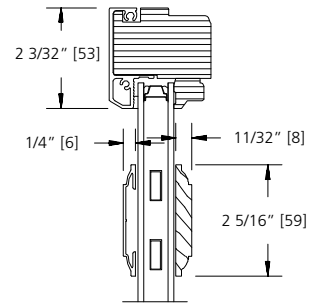
**7/8" SDL BAR
(BEAD STOP)**



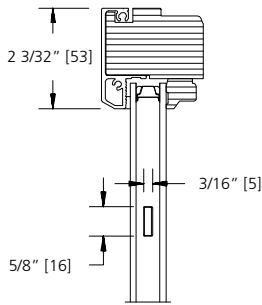
**1 1/8" SDL BAR
(BEAD STOP)**



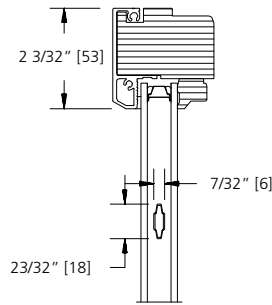
**1 3/8" SDL BAR
(BEAD STOP)**



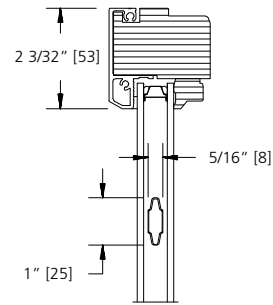
**2 5/16" SDL BAR
(BEAD STOP)**



**5/8" FLAT
GBG**



**23/32" CONTOUR
GBG**

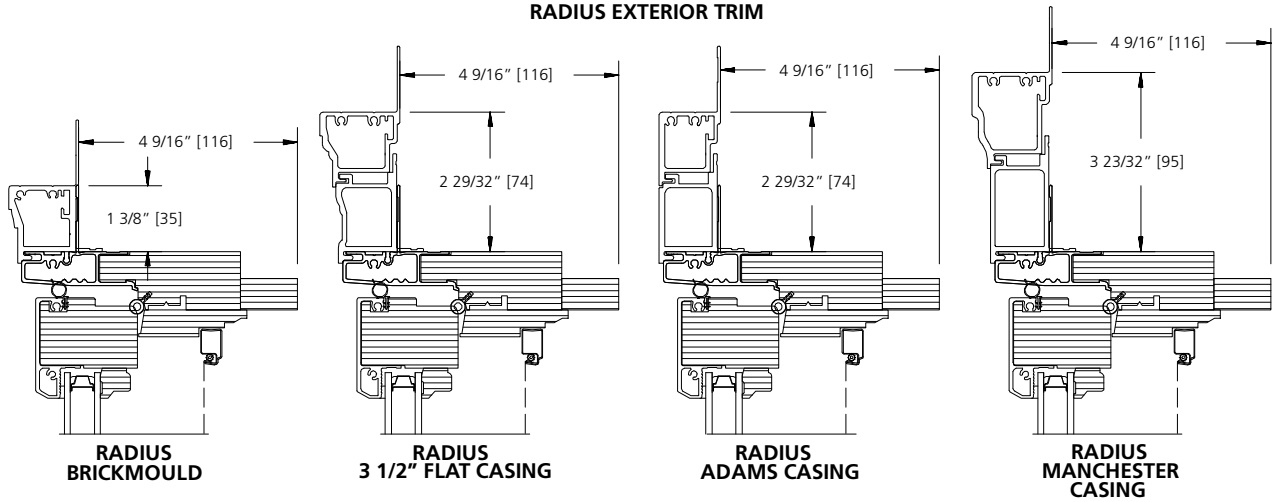


**1" CONTOUR
GBG**

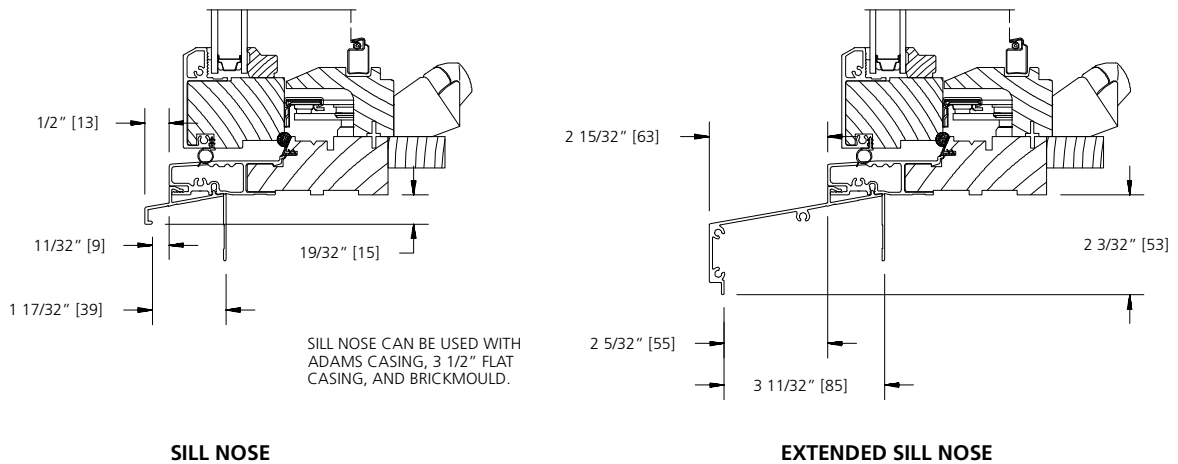
Scale: 3" = 1'

TRIM OPTIONS

RADIUS EXTERIOR TRIM



SUBSILL OPTIONS



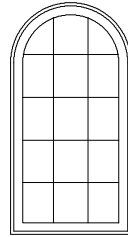
SCALE: 3" = 1'

LITE CUT INFORMATION

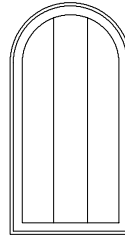
Clad Epic in-sash geometric windows are available with removable grilles in 5/8", 7/8", 1-1/8" and 1-3/8" widths, Airspace (between the panes) grilles, and Simulated Divided Lites. Standard lite cuts are rectangular.

LITE CUT OPTIONS

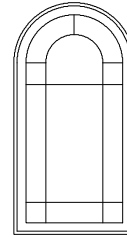
Special lite cut patterns can include a wide variety of straight line and radius patterns. The illustrations shown here represent just a few of the possibilities. Rectangular, horizontal, vertical and Prairie lite patterns are available in all standard size clad insash geometric windows. Uneven, diamond, radius and Gothic lite cuts are available, subject to approval. Approvals are based on the ability to fulfill the design requirement while maintaining the construction integrity of the finished product.



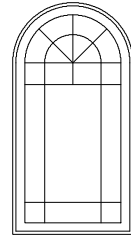
RECTANGULAR



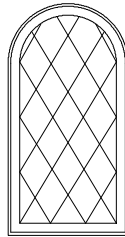
VERTICAL



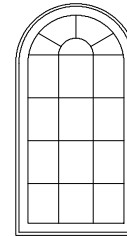
PRAIRIE



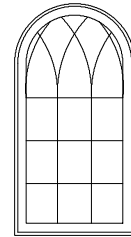
UNEVEN



DIAMOND



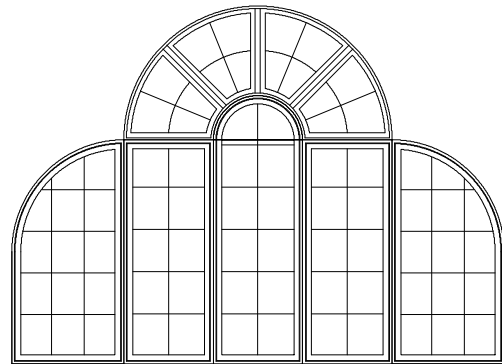
RADIUS



GOTHIC

BAR ALIGNMENT

Alignment of divided lite muntin bars from one window to the next is often required by fine architectural design. Wood grilles, Airspace grilles, and Simulated Divided Lites may be specified with muntin bars aligned.



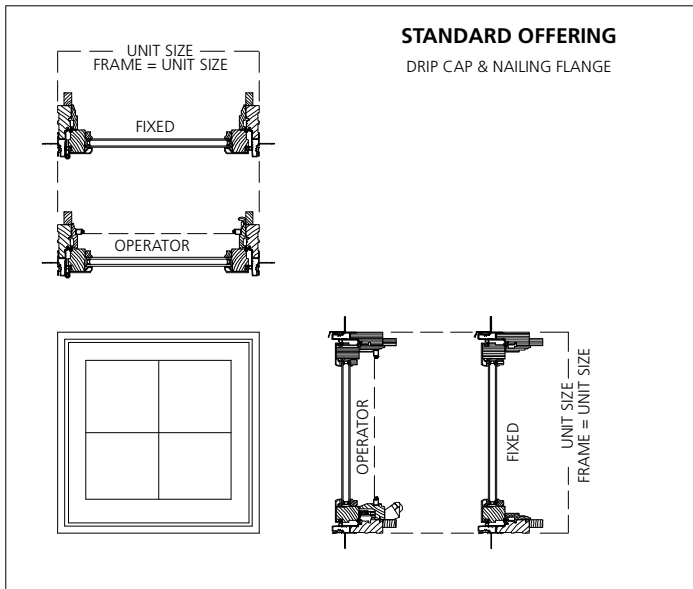
**UNIT SIZING, ROUGH OPENINGS
& MASONRY OPENINGS**

GENERAL NOTES:

UNITS WITH NO TRIM AND SILL NOSE:
UNIT SIZE = FRAME SIZE

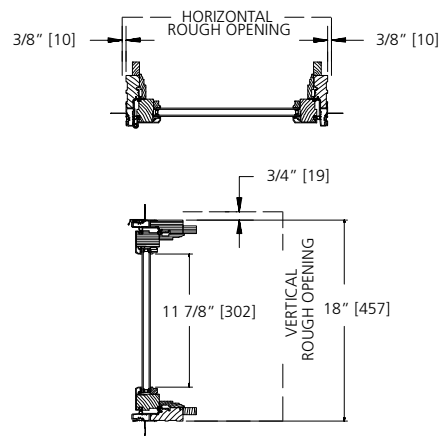
UNIT SIZE IS ALWAYS THE
EXTREME SIZE OF THE WINDOW
WITH OR WITHOUT TRIM
(DRIP CAP & NAILING FLANGE ARE
NOT ADDED TO ANY UNIT SIZING)

MASONRY OPENING:
MASONRY OPENING IS ALWAYS 1/2" OVER
THE UNIT SIZE OF THE WINDOW



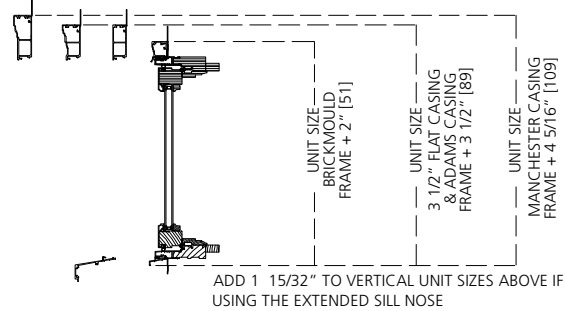
ROUGH OPENING:

ROUGH OPENING IS ALWAYS 3/4" OVER
FRAME SIZE OF THE WINDOW

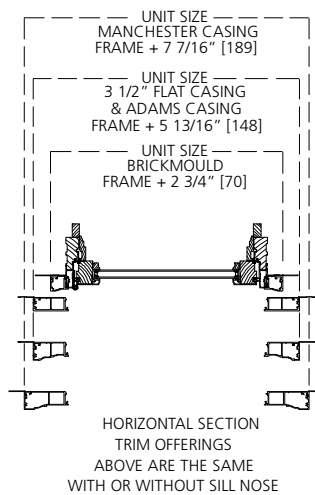
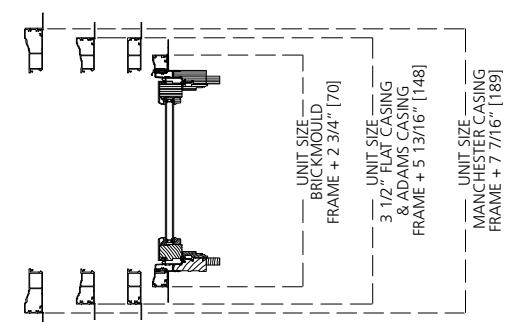


NON-STANDARD UNIT SIZING

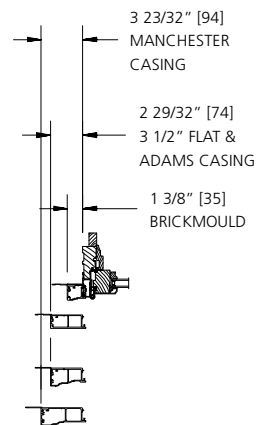
EXTERIOR TRIM OFFERINGS WITH SILL NOSE



EXTERIOR TRIM OFFERINGS WITHOUT SILL NOSE
EXTERIOR TRIM ON ALL 4 SIDES

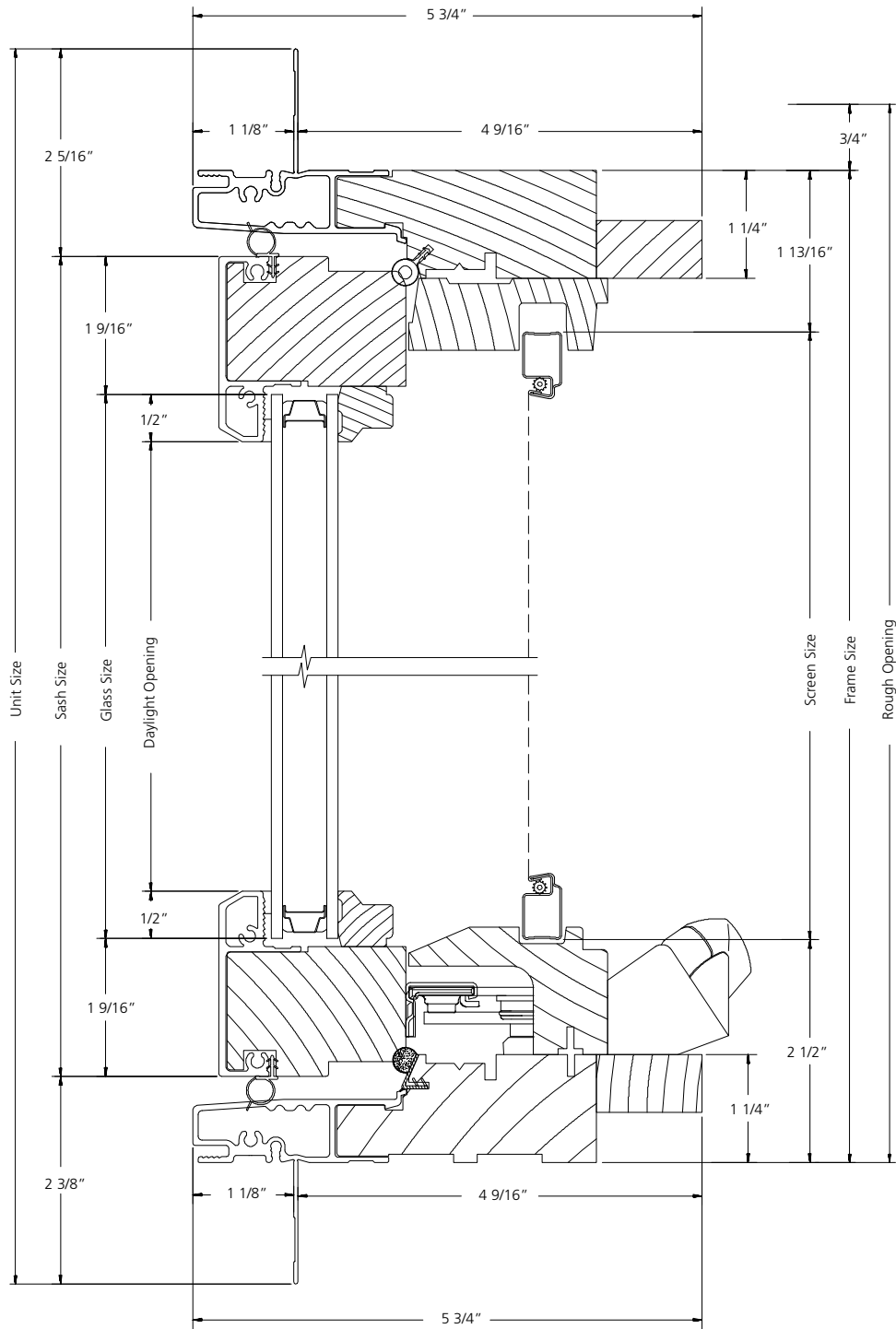


**FRAME TO TRIM
DIMENSIONS**



TYPICAL FOR HEAD, SILL & SIDE

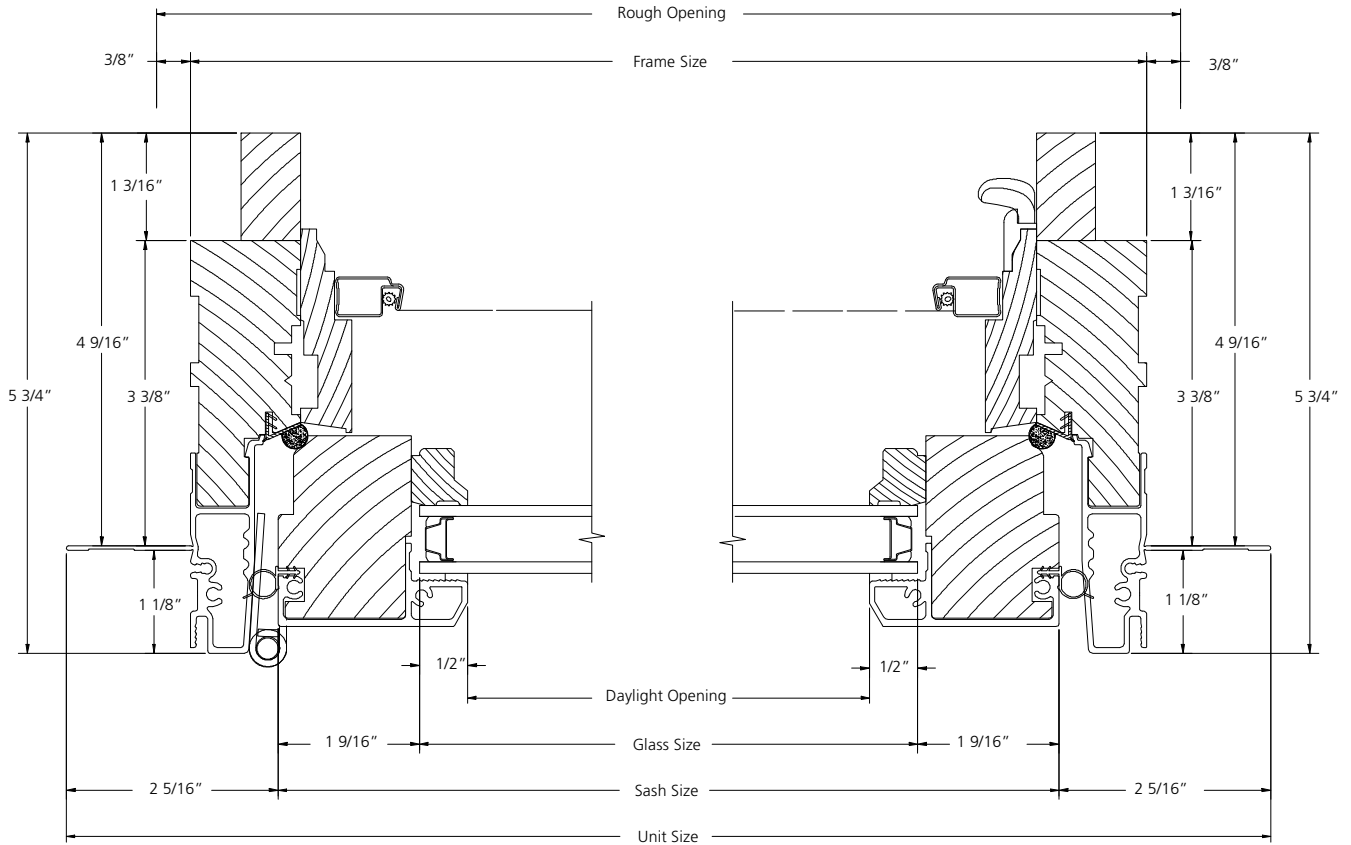
GEOMETRIC UNITS



VERTICAL SECTION

SCALE: 6" = 1'

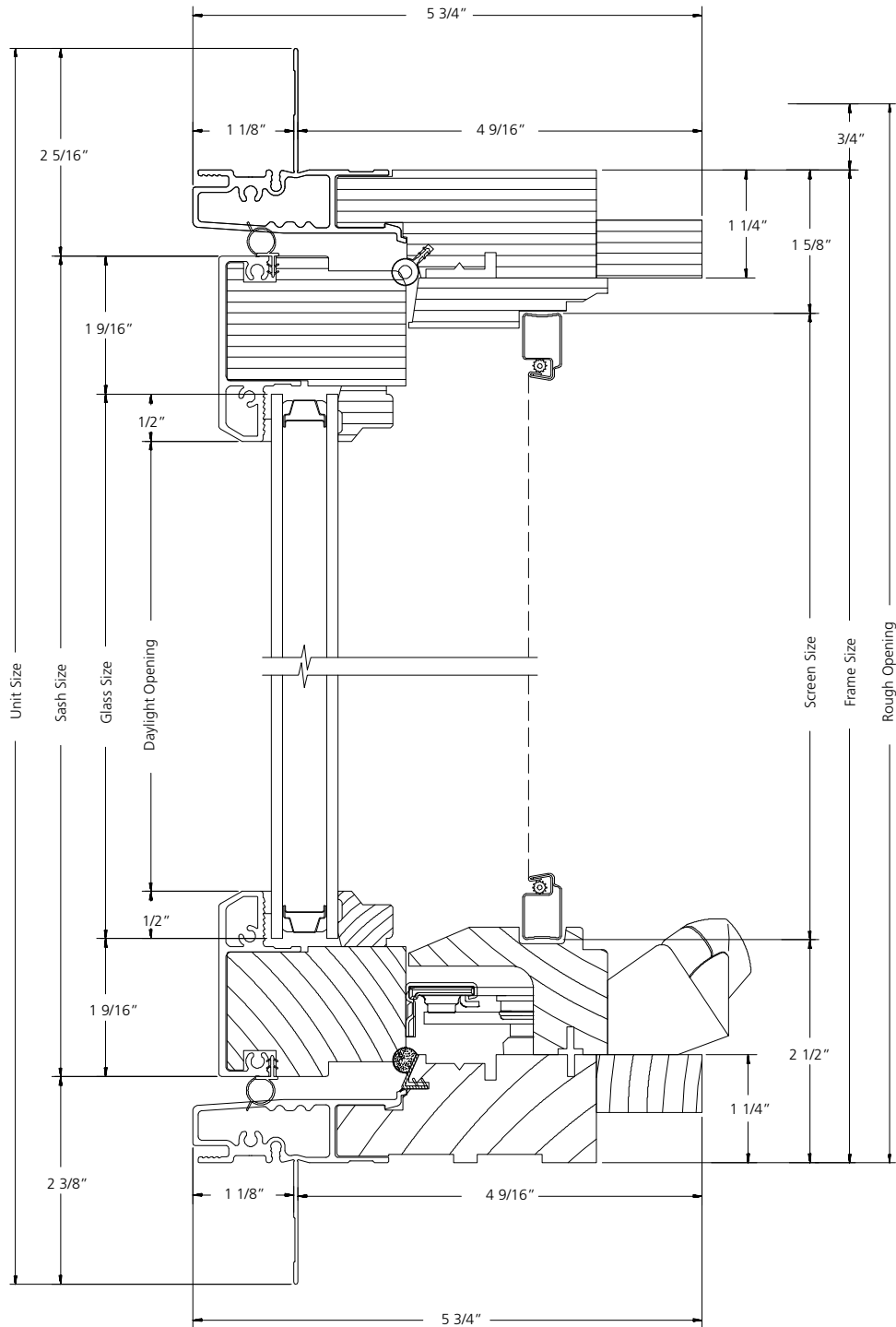
GEOMETRIC UNIT



HORIZONTAL SECTION

SCALE: 6" = 1'

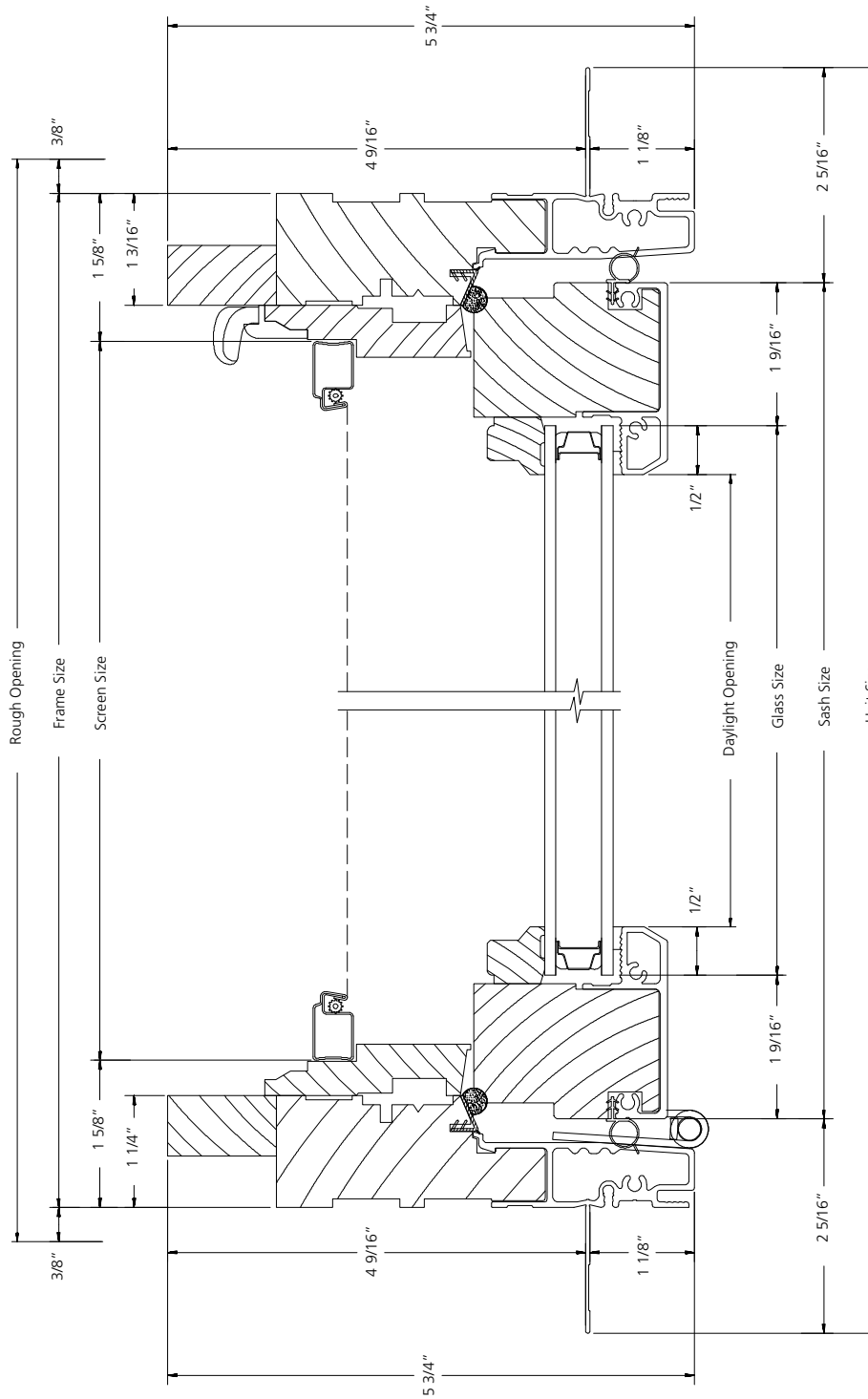
RADIUS UNIT



VERTICAL SECTION

SCALE: 6" = 1'

RADIUS UNIT



HORIZONTAL SECTION