

---

TABLE OF CONTENTS

---

Specifications .....	11-2
Quick Spec Guide .....	11-4
Elevations/Sizes: 1/8" Scale .....	11-6
Operating Units .....	11-9
Cottage Style Units .....	11-10
Reverse Cottage Style Units .....	11-10
Picture Units .....	11-11
Transom Units .....	11-13
Glazing Options .....	11-15
Trim Options .....	11-18
Jamb Options .....	11-20
Mullion Details & Specialty Trim .....	11-21
Grille & SDL Patterns .....	11-22
Unit Sizing, Rough Openings & Masonry Openings .....	11-26
Clear Opening Layout .....	11-27
Section Details: 6" Scale .....	11-28

**PRODUCT SPECIFICATIONS****EXTERIOR FINISH**

Exterior aluminum surfaces are finished with a fluoropolymer (70% Kynar 500®) multi-coat finish system to meet the performance standards required by AAMA specification #2605. 41 standard colors include Brilliant White, Chestnut Bronze, Desert Sand, French Vanilla, Hartford Green, Mesa Red, Black Licorice, Heirloom White, Hunter Green, Redwood, Sage Brown, Smoke, and more.

**AURALAST® WOOD**

AuraLast® wood is fundamentally different from wood treated in traditional millwork preservation processes in that it uses a proprietary vacuum/pressure process to provide protection throughout the wood parts used to make windows and doors. AuraLast® wood is distinguished from wood using traditional preservation methods by its unique ability to achieve greater penetration of the active ingredients into the wood parts, with a minimum treatment penetration of 92%.

**INTERIOR FINISH**

All interior surfaces are unfinished clear pine ready for on-site finishing. Optional prefinished pine interiors include four acrylic colors (Modern White, Extra White, Natural Choice, Pure White), five stains (Wheat, Cherry, Fruitwood, Cordovan, Cider) and a clear lacquer topcoat. Primed interior also available.

**FRAME**

Frame is assembled from select kiln-dried pine AuraLast® wood on all exterior parts. Exterior surface is covered with .050 gauge extruded aluminum cladding. Standard jamb width is 5-1/2".

**SASH**

1-3/4" thick select kiln-dried pine AuraLast® wood. Exterior surface is covered with .050" gauge extruded aluminum cladding. Corner joints are mortised-and-tenoned, glued and nailed from the interior, with the glass mounted into the sash using glazing tape on the exterior, with a secondary silicone seal applied to the perimeter of the glazing tape, and acrylic sealant on the interior, then secured with interior applied profiled wood stops.

**GLAZING**

Insulating glass is constructed from two panes of glass, utilizing a continuous roll formed stainless steel spacer with dual seal sealant. The glass is mounted into the sash using a silicone-glazing compound and secured with interior applied profiled wood stops. All insulating glass units comply with the performance requirements of IGCC in accordance with either ASTM E774 or E2190.

**GLAZING OPTIONS**

Insulating glass available in Low-E with Argon, Low-E, Low-E 366, Clear, Neat Glass, Seedy Reamy, tinted, reflective, or obscure, tempered or other specialty glass as specified. Preserve® film is a 0.003" thick polyethylene film with a low tack acrylic adhesive applied to the glass for protection during shipping and installation. Installations at 4,000 foot elevations and higher require a capillary tube to equalize environmental stress (otherwise known as High Altitude glazing). High Altitude glazing does not allow the use of Argon as listed under glazing options.

**WEATHER-STRIPPING**

Engineered system combines foam lined jamb liners forming a compression seal with the sash stiles and dual durometer bulb seal compressed between the top and bottom rails of the sash and frame, bulb seal between the top rail and the head filler stop, as well as a bulb seal compressed between the sash meeting rails.

**HARDWARE**

Block and tackle balance system is utilized to facilitate tilting and removal of the sash for cleaning. The interior sash locks are a cam action design with the lock case finish available in the standard finish options of White, Chestnut Bronze, and Desert Sand with optional finishes in plated Polished Brass, Antique Brass, Polished Chrome, Brushed Chrome, and Oil-Rubbed Bronze. Interior sash lifts and custodial locks are an available option.

**EXTERIOR INSECT SCREENS**

Charcoal fiberglass screen cloth (18x16 mesh) set in painted roll formed aluminum frame fitted to the outside of the window with all necessary hardware, in Brilliant White, Chestnut Bronze, Desert Sand, French Vanilla, Hartford Green, Mesa Red, Black Licorice, Heirloom White, Hunter Green, Redwood, Sage Brown, and Smoke finishes. Luxury color screens are also available. Insect screens are intended to allow air and light in and to keep insects out. They are not intended to keep anyone or anything from falling through an open window. For safety screens or other security devices contact your local building supply retailer.

**GRILLES**

**SDL** (Simulated Divided Lites) - extruded aluminum muntins permanently applied to the exterior of the insulating glass unit (not available on textured glass) in 5/8", 7/8", 1-1/8", or 1-3/8" widths. Profiles are bead stop in all widths, and a putty profile in 5/8", 7/8", and 1-1/8" widths only. SDL is standard with a light bronze internal shadow bar to give a true divided lite appearance. As an option, SDL may be ordered with a silver shadow bar. Clear wood interior muntin bars match the exterior muntin width and are permanently bonded to the interior of the glass. Also available is a 2-5/16" SDL bar, which simulates a double-hung checkrail.

**Full-Surround Removable Wood Grilles** - Rectangular, unfinished interior clear pine wood grilles in 7/8", 1-1/8", and 1-3/8" are available in patterns selected by the owner.

**GBG** (Grilles between the Glass) - 5/8" flat, 23/32" contour, or 1" contour grilles mounted between the glass panes suspended within the air cavity.

**EXTERIOR TRIM**

Drip cap and integral nailing fin standard with optional extruded aluminum brickmould, 3-1/2" flat, 3-1/2" Adams and Heritage trims. Optional mull covers to accommodate 1" (spread only), 2", 3-1/2" and 6" spread and stud pocket mull.

**EXTENSION JAMBS**

Extension jambs are applied to the interior on all four sides of the frame in wall depths up to 7-1/2" for 5/4, factory applied.

*Continued on next page*

---

**PRODUCT SPECIFICATIONS**

---

**INSTALLATION**

Installation per JELD-WEN Installation Method for Metal Clad Windows. See [www.jeld-wen.com/resources](http://www.jeld-wen.com/resources) for instructions.

**PERFORMANCE**

**NFRC Certified** - (rated and labeled in accordance with NFRC 100 and 200 procedures)

**ANSI/AAMA/NWDA/101/I.S.2-97**  
**AMMA/WDMA/CSA 101/I.S.2/A440-05**  
**WDMA Hallmark Certified**

See [www.jeld-wen.com](http://www.jeld-wen.com) for architectural and performance information.

**QUICK SPEC GUIDE**

SPECIFICATION	STANDARD FEATURES	OPTIONAL FEATURES	
<b>EXTERIOR FINISH</b>	<ul style="list-style-type: none"> <li>• Brilliant White</li> <li>• Chestnut Bronze</li> <li>• Desert Sand</li> <li>• French Vanilla</li> <li>• Mesa Red</li> <li>• Hartford Green</li> <li>• Black Licorice</li> <li>• Heirloom White</li> <li>• Hunter Green</li> <li>• Redwood</li> <li>• Sage Brown</li> <li>• Smoke</li> <li>• Artic Silver</li> <li>• Dark Chocolate</li> <li>• Black Emerald</li> <li>• Bone White</li> <li>• Bronze</li> <li>• Buckskin</li> <li>• Cambridge White</li> <li>• Capri Blue</li> <li>• Cascade</li> </ul>	<ul style="list-style-type: none"> <li>• Champagne</li> <li>• Clover Mist</li> <li>• Dark Buckskin</li> <li>• Dark Ivy</li> <li>• Deep Summer</li> <li>• Garnet</li> <li>• Haverstraw</li> <li>• Hudson Blue</li> <li>• Ivory</li> <li>• Ivy</li> <li>• Liberty Blue</li> <li>• Mocha Cream</li> <li>• Mosaic Green</li> <li>• Pueblo Tan</li> <li>• Rosewood</li> <li>• Scarlet Haze</li> <li>• Sea Foam</li> <li>• Teal</li> <li>• Wedgewood</li> <li>• White</li> </ul>	<p style="font-size: small;"><i>Some options may require additional lead times. Consult your JELD-WEN Sales Representative.</i></p> <ul style="list-style-type: none"> <li>• Custom Color Matching</li> </ul>
<b>EXTERIOR TRIM</b>	<ul style="list-style-type: none"> <li>• Drip Cap &amp; Integral Nailing Fin</li> </ul>	<ul style="list-style-type: none"> <li>• Extruded Aluminum Brickmould</li> <li>• Adams Casing</li> <li>• 3-1/2" Flat Casing</li> <li>• Heritage Casing</li> </ul>	
<b>INTERIOR WOOD</b>	<ul style="list-style-type: none"> <li>• Western Pine</li> </ul>		
<b>INTERIOR FINISH</b>	<ul style="list-style-type: none"> <li>• Natural</li> </ul>	<ul style="list-style-type: none"> <li>• Priming Available</li> </ul> <p>Pre-finished Interior Options are:</p> <ul style="list-style-type: none"> <li>• Paint - Pure White, Extra White, Natural Choice, Moderate White</li> <li>• Stain - Wheat, Fruitwood, Cherry, Cordovan, Cider</li> <li>• Clear Lacquer</li> </ul>	
<b>SIZE</b>	<ul style="list-style-type: none"> <li>• Frame Width: 32-3/16, 44-3/16, 56-3/16, 68-3/16</li> <li>• Frame Height: 57-1/16, 81-1/16, 105-1/16, 129-1/16</li> </ul>	<ul style="list-style-type: none"> <li>• Any Frame Width: 26-3/16 to 68-3/16</li> <li>• Any Frame Height: 45-1/16 to 129-1/16</li> </ul>	
<b>GLAZING</b>	<ul style="list-style-type: none"> <li>• Low-E Insulating Glass (with Argon)</li> <li>• Low-E 366</li> <li>• Preserve® Protective Film</li> </ul>	<ul style="list-style-type: none"> <li>• Clear</li> <li>• Obscure</li> <li>• Reflective</li> <li>• Tints: Bronze, Gray, Green</li> <li>• Glue Chip</li> <li>• Safety Laminate in Clear, Bronze or Gray</li> <li>• Neat Glass</li> <li>• Seedy Reamy</li> <li>• Rain</li> <li>• Narrow Reed</li> <li>• Sandblasted</li> <li>• Tempered</li> <li>• Impact Resistant</li> </ul>	
		<ul style="list-style-type: none"> <li>• High Altitude (Breather Tube, no Argon)</li> </ul>	

*Continued on next page*

**QUICK SPEC GUIDE**

SPECIFICATION	STANDARD FEATURES	OPTIONAL FEATURES <i>Some options may require additional lead times. Consult your JELD-WEN Sales Representative.</i>	
<b>GRILLES</b>		SDL Bead Profile: <ul style="list-style-type: none"> <li>• 5/8", 7/8", 1-1/8", 1-3/8", 2-5/16" with Light Bronze Shadow Bar</li> <li>• 5/8", 7/8", 1-1/8", 1-3/8", 2-5/16" with Silver Shadow Bar</li> </ul> SDL Putty Profile: <ul style="list-style-type: none"> <li>• 5/8", 7/8" and 1-1/8" with Light Bronze Shadow Bar</li> <li>• 5/8", 7/8" and 1-1/8" with Silver Shadow Bar</li> </ul> GBG (Grilles between the Glass): <ul style="list-style-type: none"> <li>• 5/8" Flat, 23/32" Contour, 1" Contour</li> </ul> Full-Surround: <ul style="list-style-type: none"> <li>• 7/8", 1-1/8", 1-3/8"</li> </ul>	
<b>HARDWARE</b>	<ul style="list-style-type: none"> <li>• Block &amp; Tackle</li> <li>• Cam Action Sash Locks</li> <li>• Beige or White Jamb Liners</li> </ul>	<ul style="list-style-type: none"> <li>• Custodial Keyed Locks</li> <li>• Sash Lifts</li> </ul>	
<b>HARDWARE COLOR</b>	<ul style="list-style-type: none"> <li>• White</li> <li>• Chestnut Bronze</li> <li>• Desert Sand</li> </ul>	<ul style="list-style-type: none"> <li>• Polished Brass</li> <li>• Antique Brass</li> <li>• Polished Chrome</li> <li>• Brushed Chrome</li> <li>• Oil-Rubbed Bronze</li> <li>• Satin Nickel</li> <li>• Powder Coat Black</li> </ul>	
<b>JAMB</b>	<ul style="list-style-type: none"> <li>• Applied, 5/4</li> <li>• 5-1/2"</li> </ul>	<ul style="list-style-type: none"> <li>• Up to 7-1/2" 5/4</li> </ul>	
<b>INSECT SCREENS</b>	<ul style="list-style-type: none"> <li>• Fiberglass</li> </ul>		
<b>SCREEN FRAME COLOR</b>	<ul style="list-style-type: none"> <li>• Brilliant White</li> <li>• Chestnut Bronze</li> <li>• Desert Sand</li> <li>• French Vanilla</li> <li>• Mesa Red</li> <li>• Hartford Green</li> <li>• Black Licorice</li> <li>• Heirloom White</li> <li>• Hunter Green</li> <li>• Redwood</li> <li>• Sage Brown</li> <li>• Smoke</li> </ul>	<ul style="list-style-type: none"> <li>• Black Emerald</li> <li>• Bone White</li> <li>• Bronze</li> <li>• Buckskin</li> <li>• Cambridge White</li> <li>• Capri Blue</li> <li>• Cascade</li> <li>• Champagne</li> <li>• Clover Mist</li> <li>• Dark Buckskin</li> <li>• Dark Ivy</li> <li>• Deep Summer</li> <li>• Garnet</li> <li>• Haverstraw</li> <li>• Hudson Blue</li> <li>• Ivory</li> <li>• Ivy</li> <li>• Liberty Blue</li> <li>• Mocha Cream</li> <li>• Mosaic Green</li> <li>• Pueblo Tan</li> <li>• Rosewood</li> <li>• Scarlet Haze</li> <li>• Sea Foam</li> <li>• Teal</li> <li>• Wedgewood</li> <li>• White</li> <li>• Clear Satin Anodized</li> <li>• Custom Color Matching</li> </ul>	

---

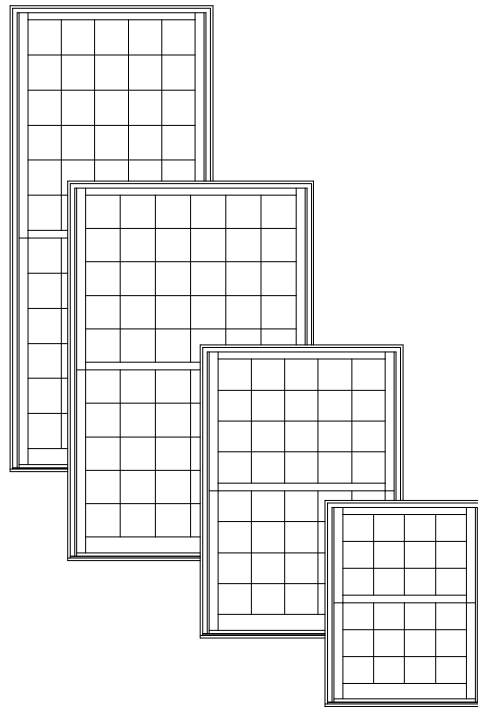
**GENERAL INFORMATION**

---

**DIMENSIONAL WINDOWS**

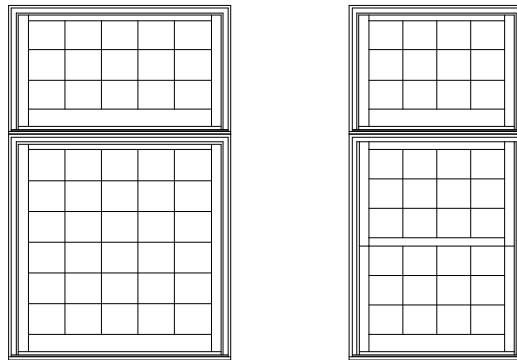
Custom Clad Epic double hung windows may be specified as "dimensional", by adjusting the desired rough opening width or height in 1/4" increments from standard.

Custom Clad Epic double hung windows feature fully operating upper and lower sash. Counterbalancing is achieved with block-and-tackle spring extension systems hidden in beige weatherable PVC jamb liners. White jamb liners are an available option. Operating units are supplied with cam-type sash locks and injected molded lower sash retainers installed. Die-cast lower sash lifts supplied for field installation are an option. There are several hardware finish options. Refer to the specifications for available finish options.

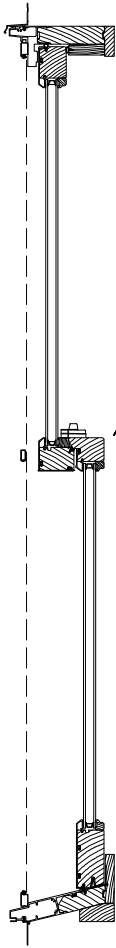


**MULTIPLE ASSEMBLIES**

Custom Clad Epic double hung windows may be mullied beside other clad Epic double hungs or clad Epic picture windows, or below clad Epic transom windows, to fulfill a wide variety of needs. Factory assembled mulls are limited in height (100"), width (150"), and a total area (75 square feet).



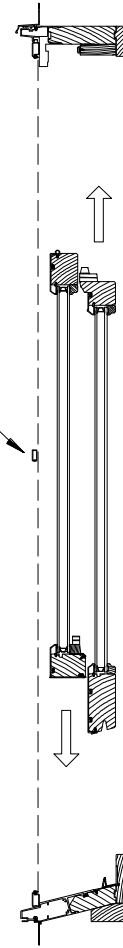
**STANDARD OPERATION  
AND LIMITATIONS**



**DOUBLE-HUNG OPERATION:**

When the sash are locked at the check rails the sash are closed and sealed in the sash opening of the frame.

When the sash are unlocked the lower sash travels vertically to any position desired. The upper sash can also be positioned as desired.



Operation Restrictions			
Glass Height	Sash Weight (lbs.)	Limited Sash Travel	Fixed Upper Sash
20"	50-67	6"	
21"	50-67	6"	
22"	52-67	7"	
23"	54-67	7"	
24"	54-67	8"	
25"	54-67	8"	
26"	54-67	9"	
27"	54-67	9"	
28"	60-71	10"	
29"	60-71	10"	
30"	60-71	11"	
31"	60-71	11"	
32"	60-71	12"	
33"	60-71	12"	
34"	61-71	13"	
35"	61-71	13"	
36"	64-75	14"	
37"	64-75	14"	
38"	64-75	15"	
39"	64-75	15"	
40"	64-75	16"	
41"	64-75	16"	
42"	64-75	17"	
43"	64-75	17"	
44"	64-75	18"	
45"	64-79	18"	X
46"	64-79	19"	X
47"	64-79	19"	X
48"	64-79	20"	X
49"	64-79	20"	X
50"	64-79	20"	X
51"	64-79	21"	X
52"	64-79	22"	X
53"	64-79	22"	X

**DOUBLE-HUNG OPERATION RESTRICTIONS:**

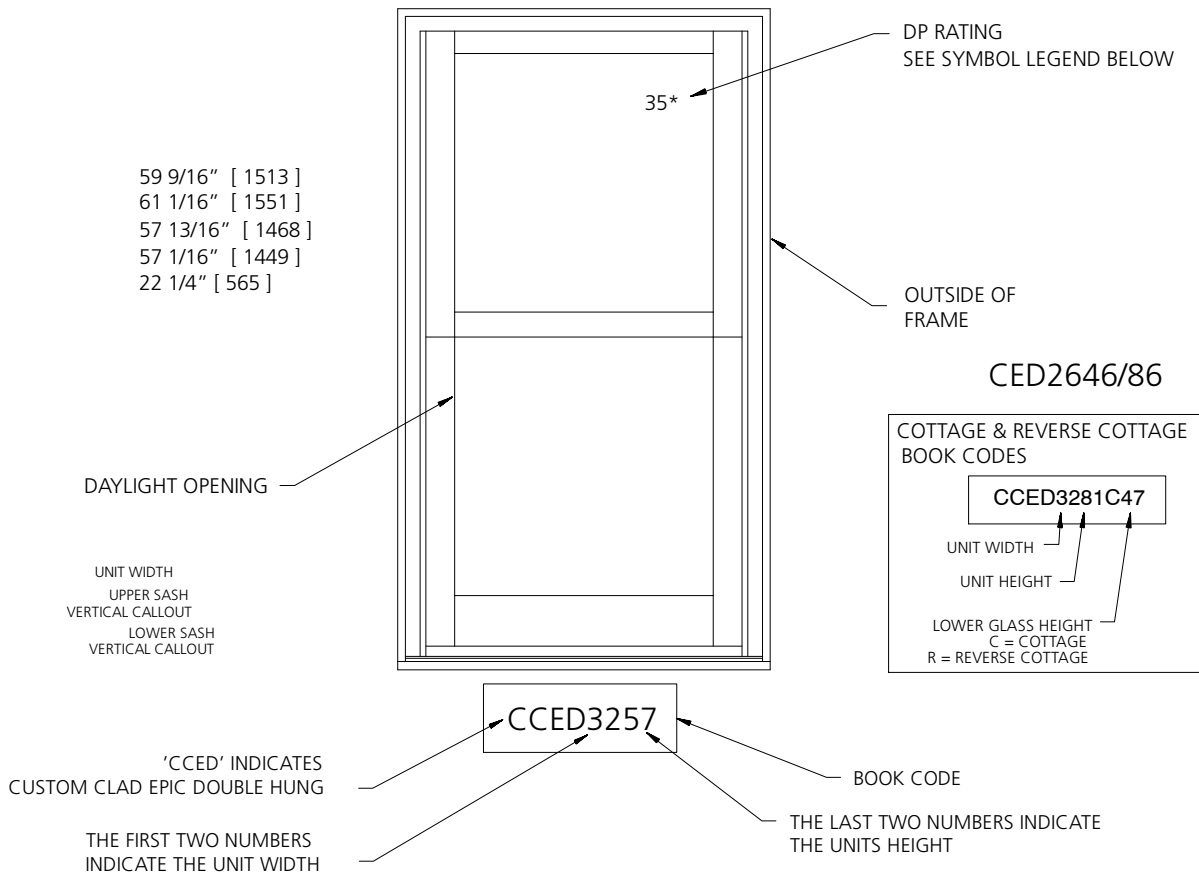
The above table reflects the amount of limited sash travel based on the glass height and the weight of the sash with standard insulated glass. The balance is adjusted in the jambliner to reduce the operation of the lower sash by the amount shown.

When any sash has a weight of 79 lbs or greater the upper sash will be fixed.

**ELEVATION NOTES  
OPERATING UNITS**

ELEVATION DRAWINGS UTILIZE A LIMITED NUMBER OF PROJECTED LINES TO PRODUCE A RUDIMENTARY DRAWING INTENDED TO BE USED IN A SMALL GRAPHICAL SCALE. ELEVATIONS ARE VIEWED PERPENDICULAR FROM THE EXTERIOR OF THE STRUCTURE. IF MORE DIMENSIONS ARE NEEDED, USE THE SECTION DRAWINGS FOR MORE COMPLETE DEPICTIONS.

M.O. Brickmould	35 7/16" [ 900 ]	Masonry Openings for Brickmould, Flat & Adams Casing. Vertical measurements include sillnose. (Subtract 1/2" from Masonry Opening for Unit Size)
M.O. Adams/Flat Casing	38 1/2" [ 978 ]	
Rough Opening	32 15/16" [ 837 ]	
Frame Size	32 3/16" [ 818 ]	
Daylight Opening	22 5/16" [ 567 ]	



**GENERAL CUSTOM EPIC DOUBLE HUNG NOTES**

1. ALL UNITS SHOWN ARE AVAILABLE AS OPERATORS ONLY.
2. UNIT ELEVATIONS ARE SHOWN WITHOUT EXTERIOR TRIM.
3. ALL OPERATING SASH ARE INSTALLED WITH VINYL JAMB LINERS AND OPERATED WITH AN INTERNAL BLOCK AND TACKLE SPRING SYSTEM.
4. DIMENSIONAL VALUES IN BRACKETS ARE MILLIMETER CONVERSIONS.

**ELEVATION SYMBOL LEGEND:**

- E** UNIT MEETS EGRESS REQUIREMENTS FOR IRC CODE. STATE AND LOCAL EGRESS CODES MAY DIFFER. ALWAYS REFER TO LOCAL BUILDING CODES FOR COMPLETE REQUIREMENTS. CHECK WITH LOCAL OFFICIALS TO ENSURE COMPLIANCE BEFORE INSTALLING THE UNIT.
- R** UNIT SASH TRAVEL IS RESTRICTED.
- F** UNIT SASH TRAVEL IS RESTRICTED AND UPPER SASH IS FIXED.
- ##\*** NUMBER INDICATES DESIGN PRESSURE (DP) RATING WITH STANDARD GLAZING.



**OPERATING UNITS**

<b>MO BRICKMOLD</b>	35 7/16" (900)	47 7/16" (1205)	59 7/16" (1510)	71 7/16" (1815)
<b>MO FLAT CASING</b>	38 1/2" (978)	50 1/2" (1283)	62 1/2" (1588)	74 1/2" (1892)
<b>ROUGH OPENING</b>	32 15/16" (837)	44 15/16" (1141)	56 15/16" (1446)	68 15/16" (1751)
<b>FRAME SIZE</b>	32 3/16" (818)	44 3/16" (1122)	56 3/16" (1427)	68 3/16" (1732)
<b>DAYLIGHT OPENING</b>	22 5/16" (578)	34 5/16" (872)	46 5/16" (1176)	58 5/16" (1481)

59 9/16" (1513) 61 3/32" (1552) 57 13/16" (1468) 22 1/4" (565)				
83 9/16" (2122) 85 3/32" (2111) 81 13/16" (2078) 34 1/4" (870)				
107 9/16" (2732) 109 3/32" (2771) 105 13/16" (2688) 46 1/4" (1175)				
131 9/16" (3342) 133 3/32" (3380) 129 13/16" (3297) 58 1/4" (1480)				

**ELEVATION SYMBOL LEGEND:**

- M.O.** = MASONRY OPENING
- VALUES IN [ ] ARE IN MILLIMETER CONVERSIONS.
- ##\*** NUMBER INDICATES DESIGN PRESSURE (DP) RATING WITH STANDARD GLAZING.
- E** UNIT MEETS EGRESS REQUIREMENTS FOR IRC CODE. STATE AND LOCAL EGRESS CODES MAY DIFFER. ALWAYS REFER TO LOCAL BUILDING CODES FOR COMPLETE REQUIREMENTS. CHECK WITH LOCAL OFFICIALS TO ENSURE COMPLIANCE BEFORE INSTALLING THE UNIT.
- F** UNIT SASH TRAVEL IS RESTRICTED AND UPPER SASH IS FIXED.

Note: Elevations shown DO NOT have exterior trim. Subtract 1/2" (12.7) from M.O. (Masonry Opening) for Unit Sizes. Masonry Openings above include Sill Nose, see Trim Options page for Sill Nose specifications. For other Trim Options refer to the Unit Sizing, Rough Opening & Masonry Openings page.

SCALE: 1/8" = 1'

**COTTAGE STYLE UNITS**

<b>MO BRICKMOLD</b>	35 7/16" (900)	47 7/16" (1205)	59 7/16" (1510)	71 7/16" (1815)
<b>MO FLAT CASING</b>	38 1/2" (978)	50 1/2" (1283)	62 1/2" (1588)	74 1/2" (1892)
<b>ROUGH OPENING</b>	32 15/16" (837)	44 15/16" (1141)	56 15/16" (1446)	68 15/16" (1751)
<b>FRAME SIZE</b>	32 3/16" (818)	44 3/16" (1122)	56 3/16" (1427)	68 3/16" (1732)
<b>DAYLIGHT OPENING</b>	22 5/16" (578)	34 5/16" (872)	46 5/16" (1176)	58 5/16" (1481)

83 9/16" (2122) 85 3/32" (2111) 81 13/16" (2078) 81 1/16" (2060) (UPR) 22 1/4" (565) (LWR) 46 1/4" (1175)				
107 9/16" (2732) 109 3/32" (2771) 105 13/16" (2688) 105 1/16" (2667) (UPR) 34 1/4" (870) (LWR) 58 1/4" (1480)				
83 9/16" (2122) 85 3/32" (2111) 81 13/16" (2078) 81 1/16" (2060) (UPR) 46 1/4" (1175) (LWR) 22 1/4" (565)				
107 9/16" (2732) 109 3/32" (2771) 105 13/16" (2688) 105 1/16" (2667) (UPR) 58 1/4" (1480) (LWR) 34 1/4" (870)				

**ELEVATION SYMBOL LEGEND:**

**M.O.** = MASONRY OPENING

VALUES IN [ ] ARE IN MILLIMETER CONVERSIONS.

**##\*** NUMBER INDICATES DESIGN PRESSURE (DP) RATING WITH STANDARD GLAZING.

**E** UNIT MEETS EGRESS REQUIREMENTS FOR IRC CODE. STATE AND LOCAL EGRESS CODES MAY DIFFER. ALWAYS REFER TO LOCAL BUILDING CODES FOR COMPLETE REQUIREMENTS. CHECK WITH LOCAL OFFICIALS TO ENSURE COMPLIANCE BEFORE INSTALLING THE UNIT.

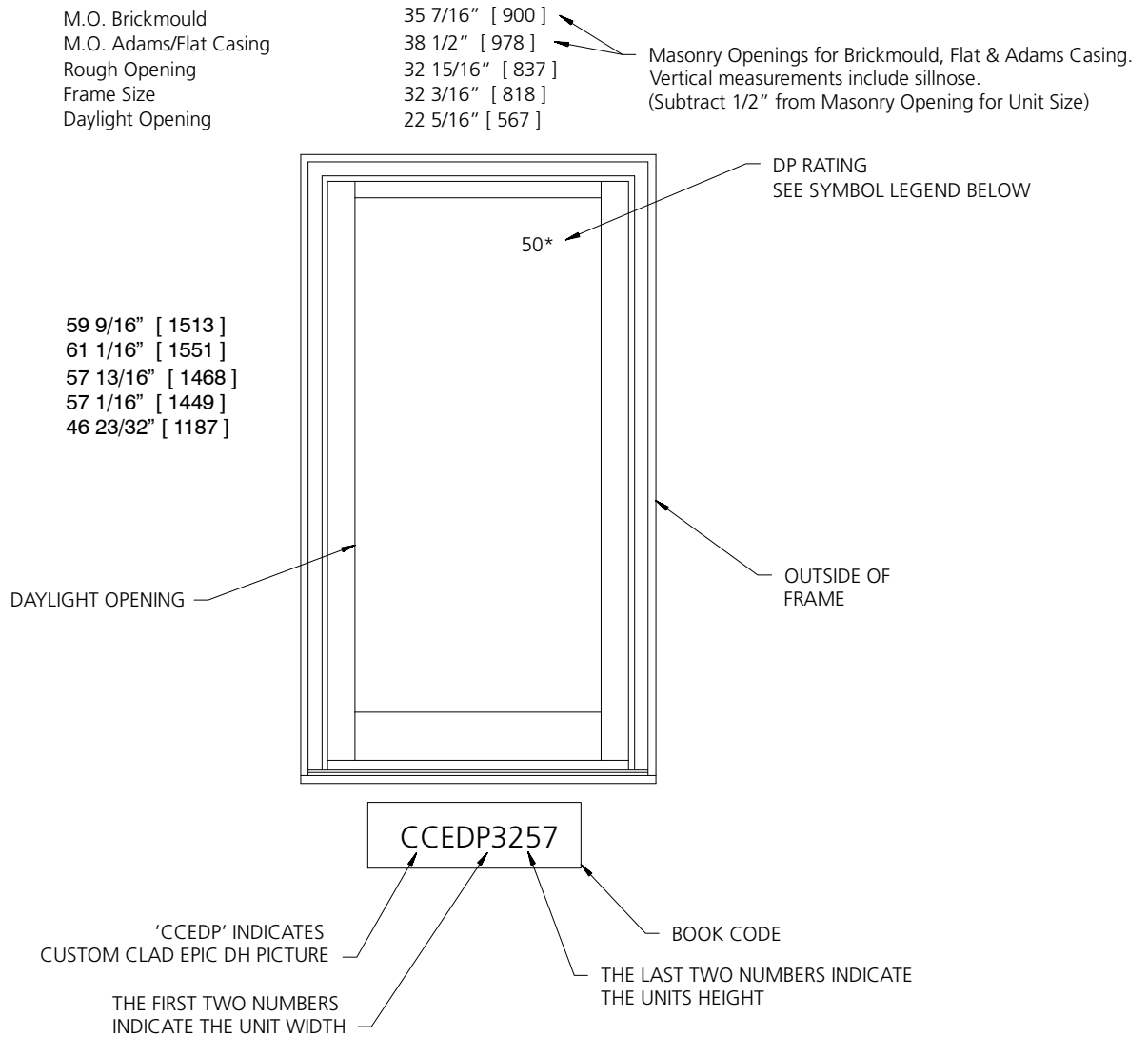
**F** UNIT SASH TRAVEL IS RESTRICTED AND UPPER SASH IS FIXED.

Note: Elevations shown DO NOT have exterior trim. Subtract 1/2" (12.7) from M.O. (Masonry Opening) for Unit Sizes. Masonry Openings above include Sill Nose, see Trim Options page for Sill Nose specifications. For other Trim Options refer to the Unit Sizing, Rough Opening & Masonry Openings page.

SCALE: 1/8" = 1'

**ELEVATION NOTES**  
**PICTURE UNITS**

ELEVATION DRAWINGS UTILIZE A LIMITED NUMBER OF PROJECTED LINES TO PRODUCE A RUDIMENTARY DRAWING INTENDED TO BE USED IN A SMALL GRAPHICAL SCALE. ELEVATIONS ARE VIEWED PERPENDICULAR FROM THE EXTERIOR OF THE STRUCTURE. IF MORE DIMENSIONS ARE NEEDED, USE THE SECTION DRAWINGS FOR MORE COMPLETE DEPICTIONS.



**GENERAL CUSTOM EPIC DH PICTURE NOTES**

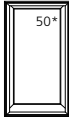
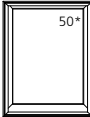
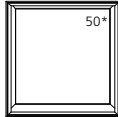

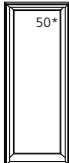
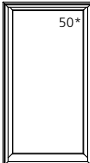
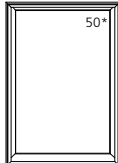
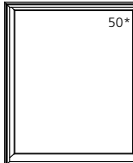
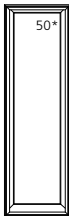
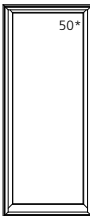
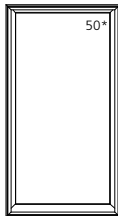
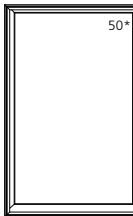
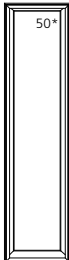
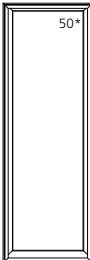
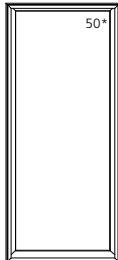
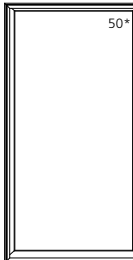
1. UNIT ELEVATIONS ARE SHOWN WITHOUT EXTERIOR TRIM.
2. DIMENSIONAL VALUES IN BRACKETS ARE MILLIMETER CONVERSIONS.

**ELEVATION SYMBOL LEGEND:**

### NUMBER INDICATES DESIGN PRESSURE (DP) RATING WITH STANDARD GLAZING.

**PICTURE UNITS**

<b>MO BRICKMOLD</b>	35 7/16" (900)	47 7/16" (1205)	59 7/16" (1510)	71 7/16" (1815)
<b>MO FLAT CASING</b>	38 1/2" (978)	50 1/2" (1283)	62 1/2" (1588)	74 1/2" (1892)
<b>ROUGH OPENING</b>	32 15/16" (837)	44 15/16" (1141)	56 15/16" (1446)	68 15/16" (1751)
<b>FRAME SIZE</b>	32 3/16" (818)	44 3/16" (1122)	56 3/16" (1427)	68 3/16" (1732)
<b>DAYLIGHT OPENING</b>	22 5/16" (567)	34 5/16" (872)	46 5/16" (1176)	58 5/16" (1481)

59 1/8" (1502) 60 5/8" (1540) 61 3/8" (1578) 57 1/16" (1449) 46 3/4" (1187)				
83 1/8" (2111) 84 5/8" (2149) 81 3/8" (2078) 81 1/16" (2059) 70 3/4" (1797)				
107 1/8" (2721) 106 5/8" (2759) 105 3/8" (2688) 105 1/16" (2669) 94 3/4" (2407)				
131 1/8" (3331) 132 5/8" (3369) 129 3/8" (3297) 129 1/16" (3278) 118 3/4" (3016)				

**ELEVATION SYMBOL LEGEND:**  
**M.O.** = MASONRY OPENING  
 VALUES IN [ ] ARE IN MILLIMETER CONVERSIONS.  
**##\*** NUMBER INDICATES DESIGN PRESSURE (DP) RATING WITH STANDARD GLAZING.

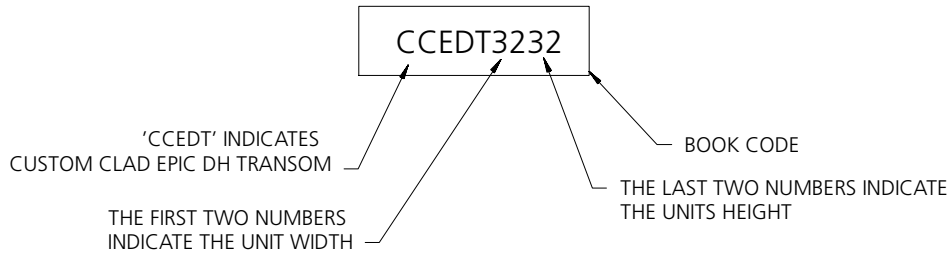
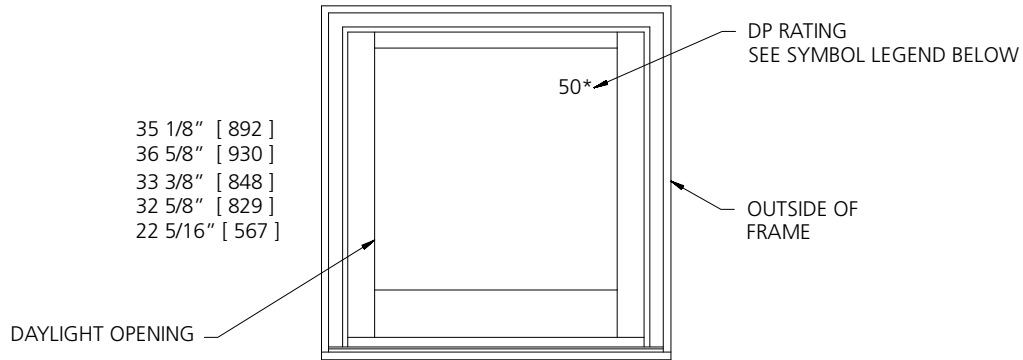
Note: Elevations shown DO NOT have exterior trim. Subtract 1/2" (12.7) from M.O. (Masonry Opening) for Unit Sizes. Masonry Openings above include Sill Nose, see Trim Options page for Sill Nose specifications. For other Trim Options refer to the Unit Sizing, Rough Opening & Masonry Openings page.

SCALE: 1/8" = 1'

**ELEVATION NOTES**  
**TRANSOM UNITS**

ELEVATION DRAWINGS UTILIZE A LIMITED NUMBER OF PROJECTED LINES TO PRODUCE A RUDIMENTARY DRAWING INTENDED TO BE USED IN A SMALL GRAPHICAL SCALE. ELEVATIONS ARE VIEWED PERPENDICULAR FROM THE EXTERIOR OF THE STRUCTURE. IF MORE DIMENSIONS ARE NEEDED, USE THE SECTION DRAWINGS FOR MORE COMPLETE DEPICTIONS.

M.O. Brickmould	35 7/16" [ 900 ]	Masonry Openings for Brickmould, Flat & Adams Casing. Vertical measurements include sillnose. (Subtract 1/2" from Masonry Opening for Unit Size)
M.O. Adams/Flat Casing	38 1/2" [ 978 ]	
Rough Opening	32 15/16" [ 837 ]	
Frame Size	32 3/16" [ 818 ]	
Daylight Opening	22 5/16" [ 567 ]	



**GENERAL CUSTOM EPIC DH TRANSOM NOTES**

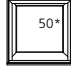
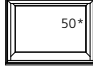
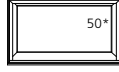
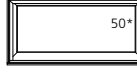
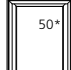

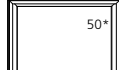

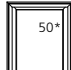
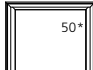
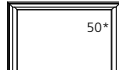

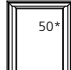
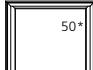
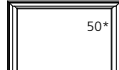

1. UNIT ELEVATIONS ARE SHOWN WITHOUT EXTERIOR TRIM.
2. DIMENSIONAL VALUES IN BRACKETS ARE MILLIMETER CONVERSIONS.

**ELEVATION SYMBOL LEGEND:**

**##\*** NUMBER INDICATES DESIGN PRESSURE (DP) RATING WITH STANDARD GLAZING.

**TRANSOM UNITS**

<b>MO BRICKMOLD</b>	35 7/16" (900)	47 7/16" (1205)	59 7/16" (1510)	71 7/16" (1815)
<b>MO FLAT CASING</b>	38 1/2" (980)	50 1/2" (1283)	62 1/2" (1588)	74 1/2" (1892)
<b>ROUGH OPENING</b>	32 15/16" (837)	44 15/16" (1141)	56 15/16" (1446)	68 15/16" (1751)
<b>FRAME SIZE</b>	32 3/16" (818)	44 3/16" (1122)	56 3/16" (1427)	68 3/16" (1732)
<b>DAYLIGHT OPENING</b>	22 5/16" (567)	34 5/16" (872)	46 5/16" (1176)	58 5/16" (1481)

34 11/16" (881) 36 3/16" (919) 33 3/8" (848) 32 5/8" (829) 22 9/32" (566)				
CCEDT3232	CCEDT4432	CCEDT5632	CCEDT6832	
46 11/16" (1186) 48 3/16" (1224) 45 3/8" (1153) 44 5/8" (1133) 34 9/32" (871)				
CCEDT3244	CCEDT4444	CCEDT5644	CCEDT6844	
58 11/16" (1491) 60 3/16" (1529) 57 3/8" (1457) 56 5/8" (1438) 46 9/32" (1176)				
CCEDT3256	CCEDT4456	CCEDT5656	CCEDT6856	
70 11/16" (1795) 72 3/16" (1833) 69 3/8" (1762) 68 5/8" (1743) 58 9/32" (1480)				
CCEDT3268	CCEDT4468	CCEDT5668	CCEDT6868	

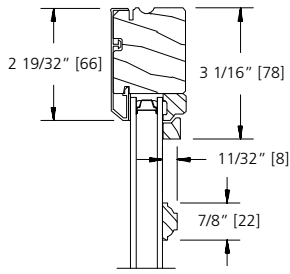
**ELEVATION SYMBOL LEGEND:**  
**M.O.** = MASONRY OPENING  
 VALUES IN [ ] ARE IN MILLIMETER CONVERSIONS.  
**##\*** NUMBER INDICATES DESIGN PRESSURE (DP) RATING WITH STANDARD GLAZING.

Note: Elevations shown DO NOT have exterior trim. Subtract 1/2" (12.7) from M.O. (Masonry Opening) for Unit Sizes. Masonry Openings above include Sill Nose, see Trim Options page for Sill Nose specifications. For other Trim Options refer to the Unit Sizing, Rough Opening & Masonry Openings page.

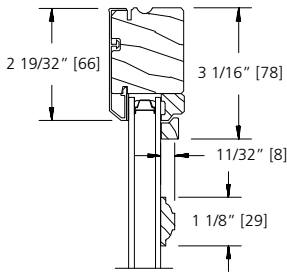
SCALE: 1/8" = 1'

**GLAZING OPTIONS**

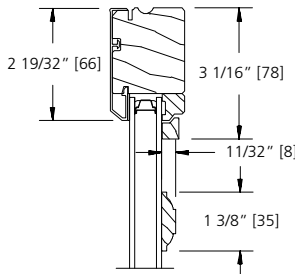
**INTERIOR GLAZED**  
INSULATED 3/4" [19] GLASS



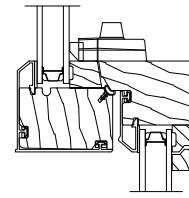
**7/8" GRILLE BAR**



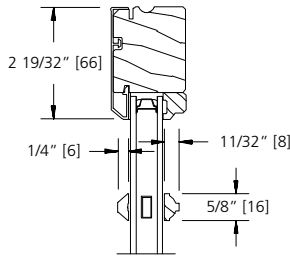
**1 1/8" GRILLE BAR**



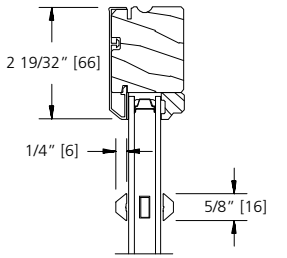
**1 3/8" GRILLE BAR**



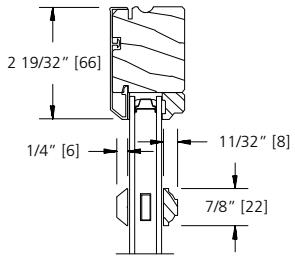
**CHECK RAIL  
GRILLE SURROUND**



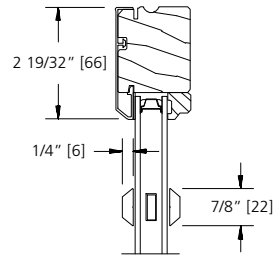
**5/8" T-BAR  
(PUTTY/BEAD)**



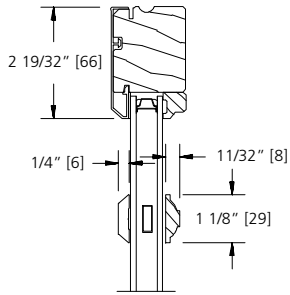
**5/8" T-BAR  
(PUTTY/PUTTY)**



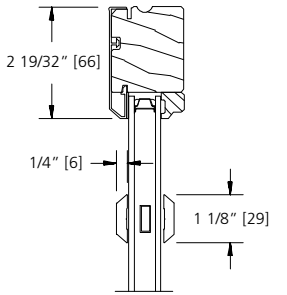
**7/8" T-BAR  
(PUTTY/BEAD)**



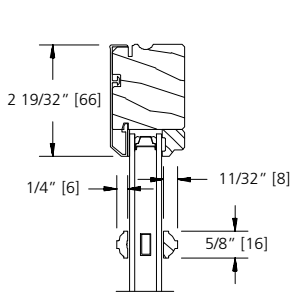
**7/8" T-BAR  
(PUTTY/PUTTY)**



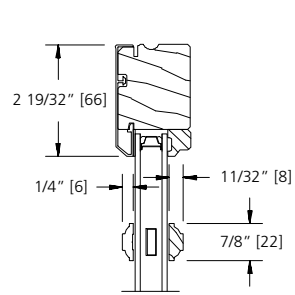
**1 1/8" SDL BAR  
(PUTTY/BEAD)**



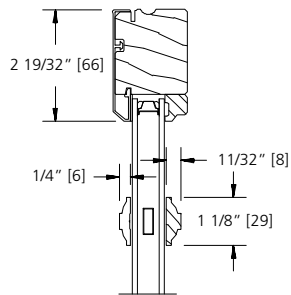
**1 1/8" SDL BAR  
(PUTTY/PUTTY)**



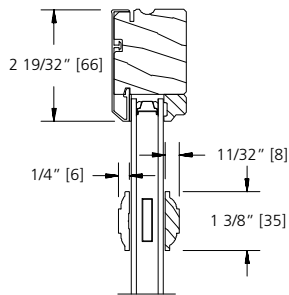
**5/8" T-BAR  
(BEAD LINE)**



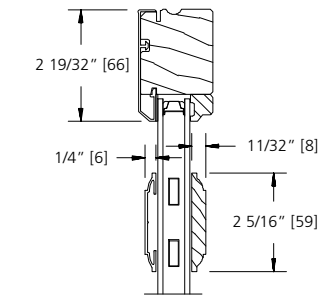
**7/8" T-BAR  
(BEAD STOP)**



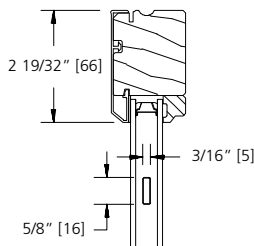
**1 1/8" SDL BAR  
(BEAD STOP)**



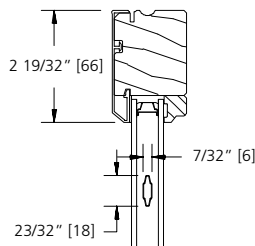
**1 3/8" SDL BAR  
(BEAD STOP)**



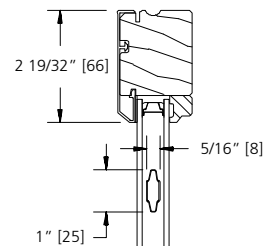
**2 5/16" SDL BAR  
(BEAD STOP)**



**5/8" FLAT  
GBG**



**23/32" CONTOUR  
GBG**

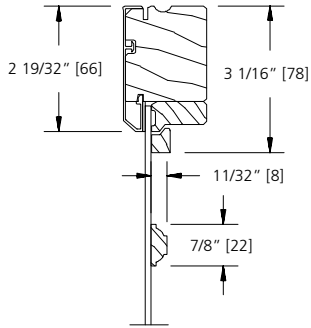


**1" CONTOUR  
GBG**

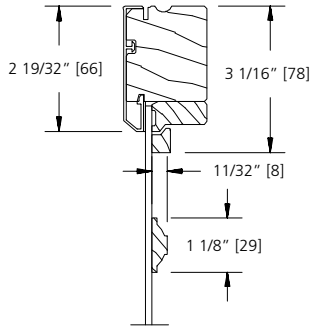
SCALE: NTS

**GLAZING OPTIONS**

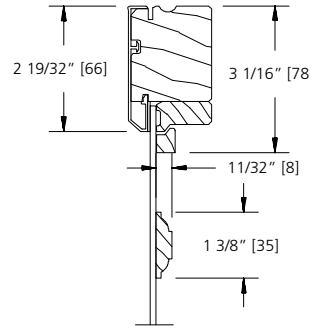
**INTERIOR GLAZED**  
SINGLE GLAZED 1/8" [3] GLASS



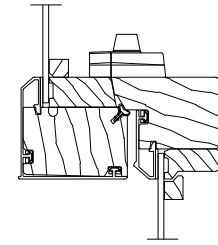
**7/8" GRILLE BAR**



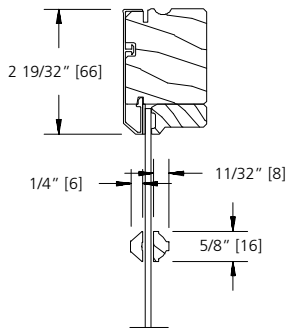
**1 1/8" GRILLE BAR**



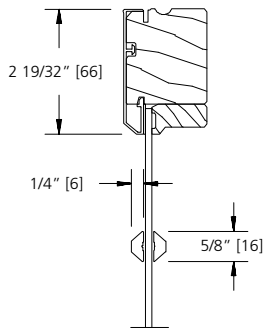
**1 3/8" GRILLE BAR**



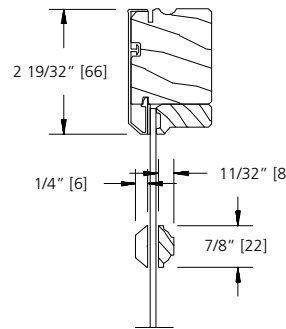
**CHECK RAIL  
GRILLE SURROUND**



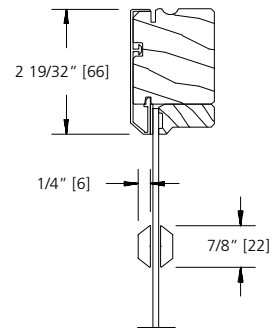
**5/8" T-BAR  
(PUTTY/BEAD)**



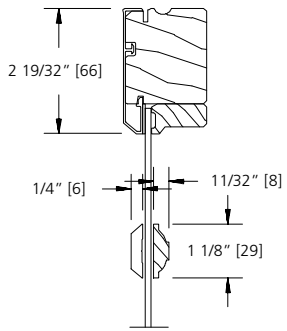
**5/8" T-BAR  
(PUTTY/PUTTY)**



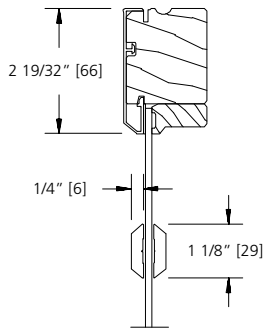
**7/8" T-BAR  
(PUTTY/BEAD)**



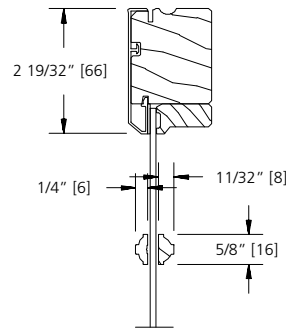
**7/8" T-BAR  
(PUTTY/PUTTY)**



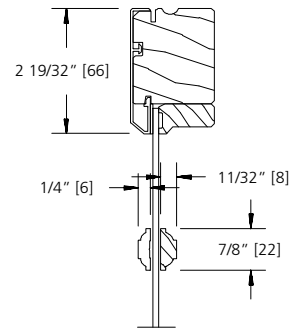
**1 1/8" SDL BAR  
(PUTTY/BEAD)**



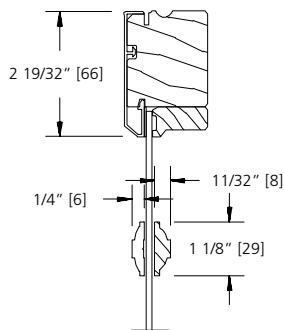
**1 1/8" SDL BAR  
(PUTTY/PUTTY)**



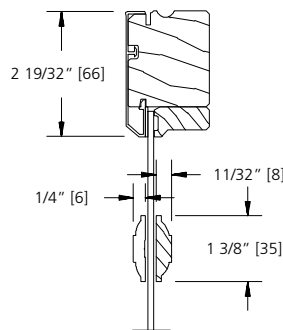
**5/8" T-BAR  
(BEAD STOP)**



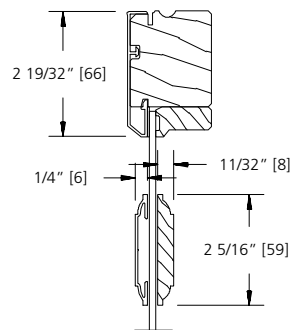
**7/8" T-BAR  
(BEAD STOP)**



**1 1/8" SDL BAR  
(BEAD STOP)**



**1 3/8" SDL BAR  
(BEAD STOP)**



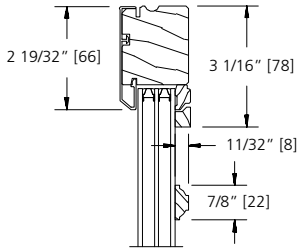
**2 5/16" SDL BAR  
(BEAD STOP)**

SCALE: 3" = 1'

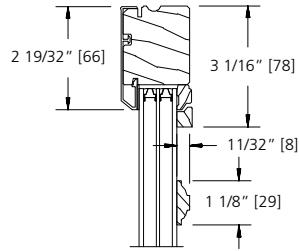


**GLAZING OPTIONS**

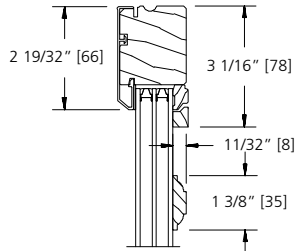
**INTERIOR GLAZED**  
TRIPLE PANE 1/8" (3) GLASS



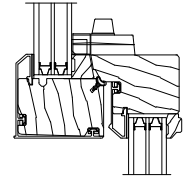
**7/8" GRILLE BAR**



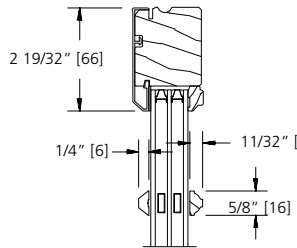
**1 1/8" GRILLE BAR**



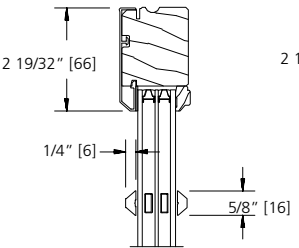
**1 3/8" GRILLE BAR**



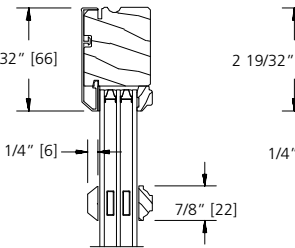
**CHECK RAIL  
GRILLE SURROUND**



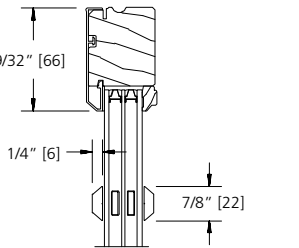
**5/8" SDL BAR  
(PUTTY/BEAD)**



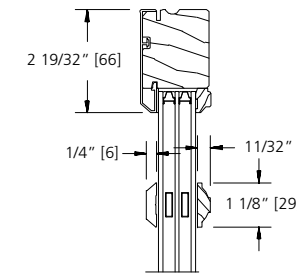
**5/8" SDL BAR  
(PUTTY/PUTTY)**



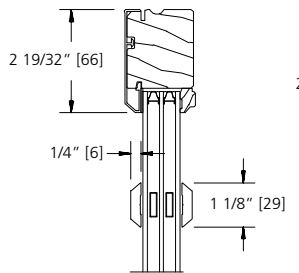
**7/8" SDL BAR  
(PUTTY/BEAD)**



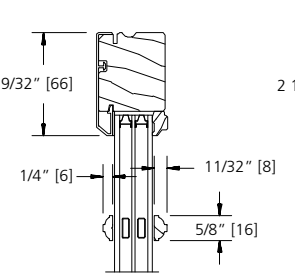
**7/8" SDL BAR  
(PUTTY/PUTTY)**



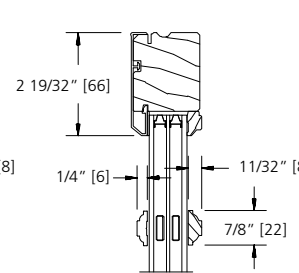
**1 1/8" SDL BAR  
(PUTTY/BEAD)**



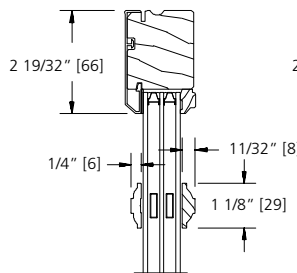
**1 1/8" SDL BAR  
(PUTTY/PUTTY)**



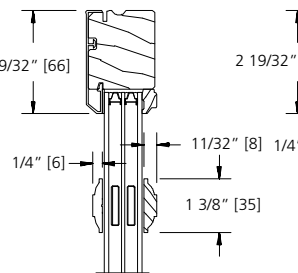
**5/8" SDL BAR  
(BEAD STOP)**



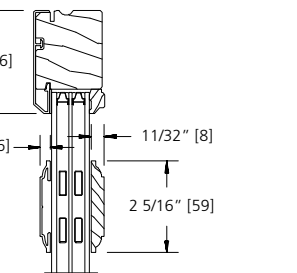
**7/8" SDL BAR  
(BEAD STOP)**



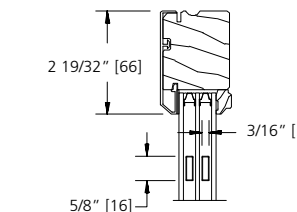
**1 1/8" SDL BAR  
(BEAD STOP)**



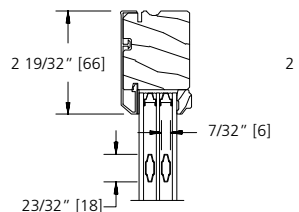
**1 3/8" SDL BAR  
(BEAD STOP)**



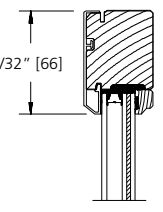
**2 5/16" SDL BAR  
(BEAD STOP)**



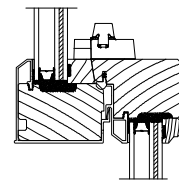
**5/8" FLAT  
AIRSPACE GRILLE**



**23/32" CONTOUR  
AIRSPACE GRILLE**



**TOP RAIL  
IMPACT VERSION**

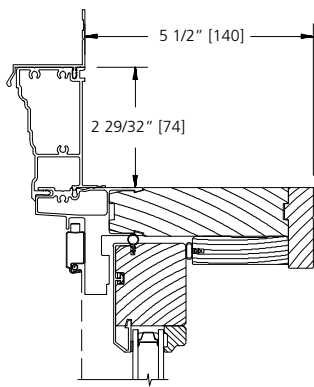


**CHECK RAIL  
IMPACT VERSION**

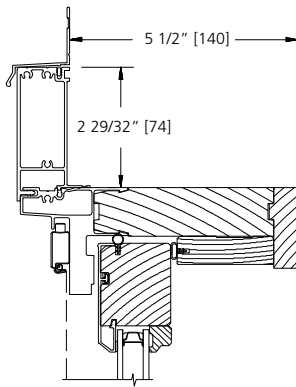
SCALE: NTS

**TRIM OPTIONS**

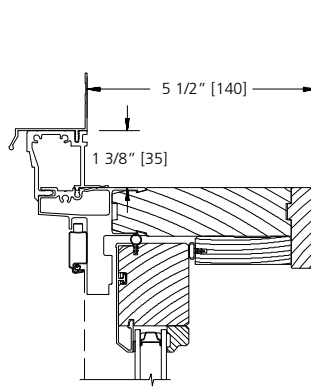
**EXTERIOR TRIM**



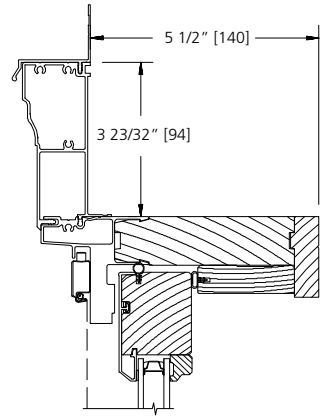
**ADAMS CASING**



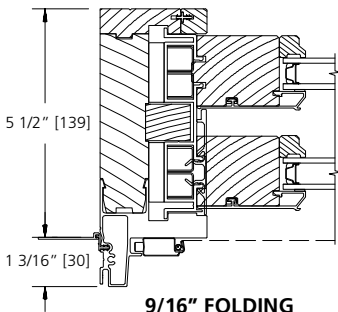
**3 1/2" FLAT CASING**



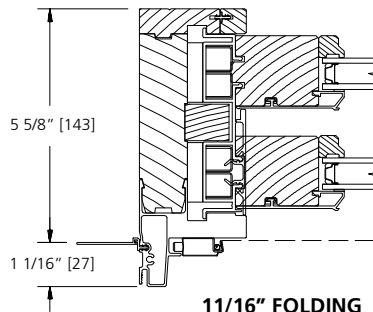
**BRICKMOULD**



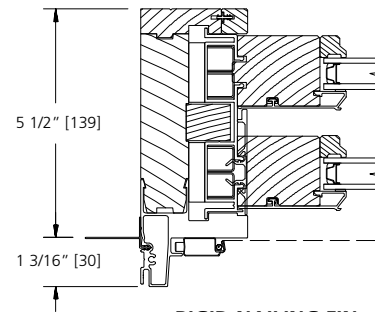
**MANCHESTER CASING**



**9/16" FOLDING NAILING FIN**

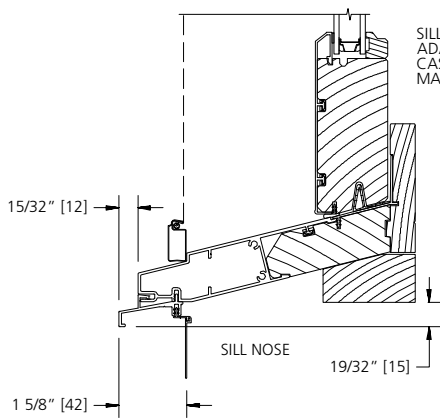


**11/16" FOLDING NAILING FIN**

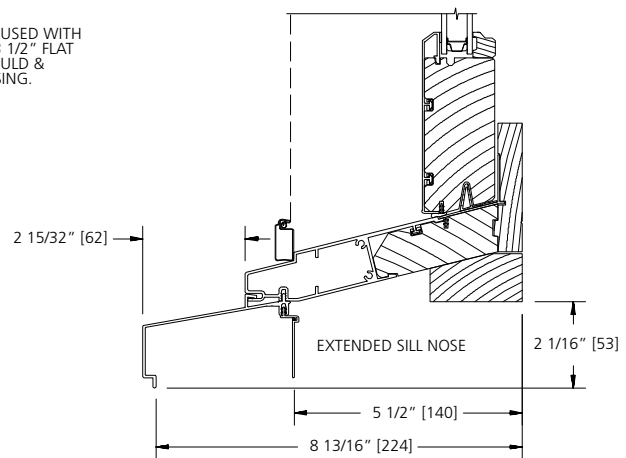


**RIGID NAILING FIN**

**SILL NOSE OPTIONS**



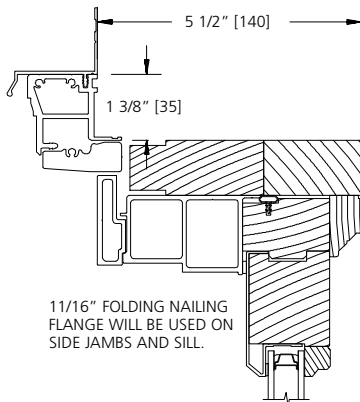
SILL NOSE CAN BE USED WITH ADAMS CASING, 3 1/2" FLAT CASING, BRICKMOULD & MANCHESTER CASING.



SCALE: 3" = 1'

**TRIM OPTIONS**  
**RADIUS**

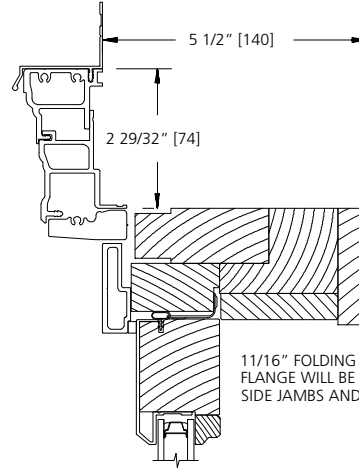
**RADIUS PICTURE/TRANSOM  
HEAD JAMB**



11/16" FOLDING NAILING  
FLANGE WILL BE USED ON  
SIDE JAMBS AND SILL.

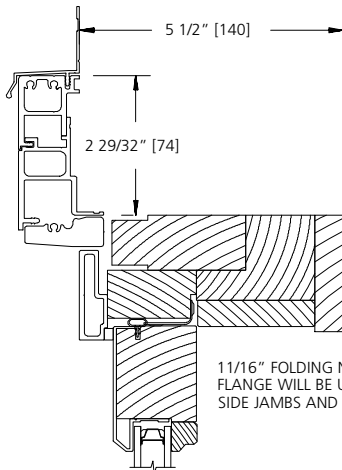
**RADIUS  
BRICKMOULD**

**RADIUS SINGLE HUNG  
HEAD JAMB**



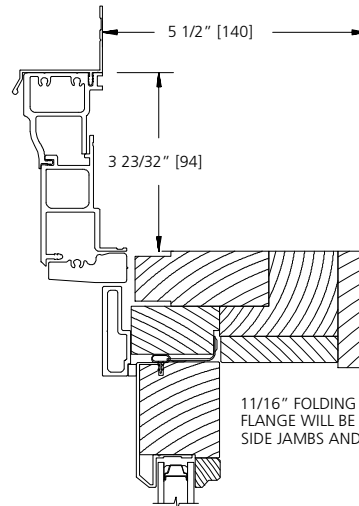
11/16" FOLDING NAILING  
FLANGE WILL BE USED ON  
SIDE JAMBS AND SILL.

**RADIUS 2-PIECE  
ADAMS CASING**



11/16" FOLDING NAILING  
FLANGE WILL BE USED ON  
SIDE JAMBS AND SILL.

**RADIUS 2-PIECE  
FLAT CASING**



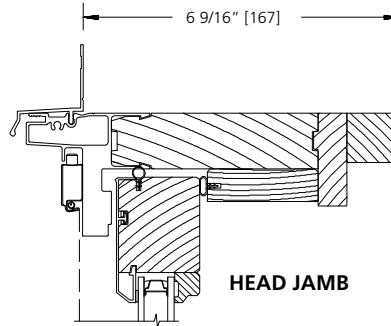
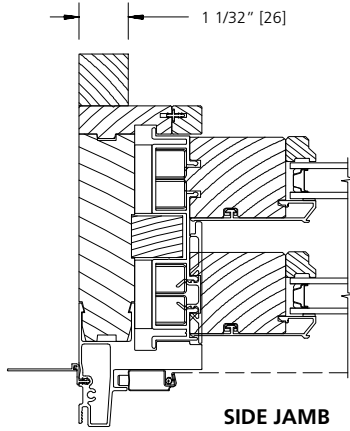
11/16" FOLDING NAILING  
FLANGE WILL BE USED ON  
SIDE JAMBS AND SILL.

**MANCHESTER  
CASING**

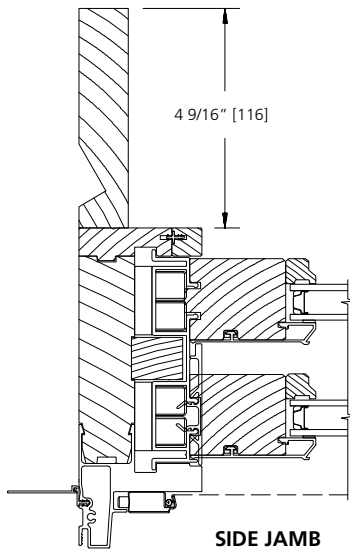
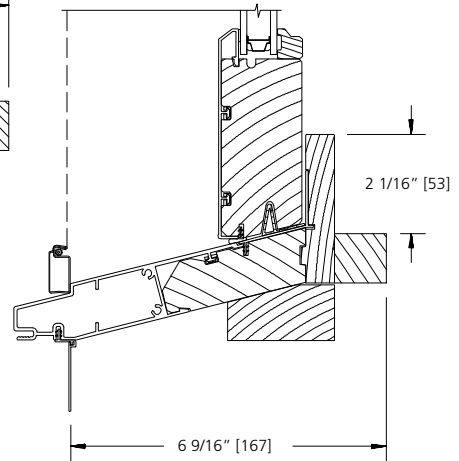
SCALE: 3" = 1'

**JAMB EXTENDER OPTIONS**

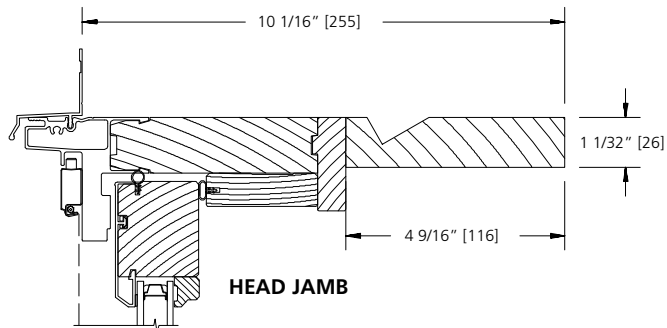
6 9/16" WALL



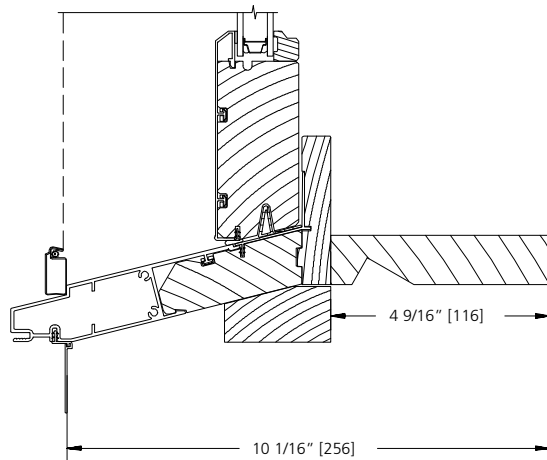
**STANDARD 5/4  
JAMB EXTENDER (CUTBACK)**



**MAXIMUM JAMB WIDTH**



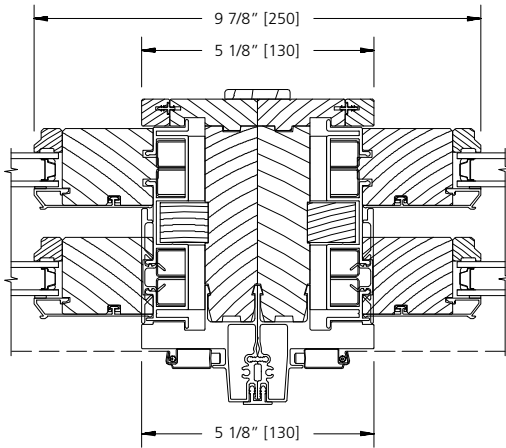
**STANDARD 5/4  
JAMB EXTENDER**



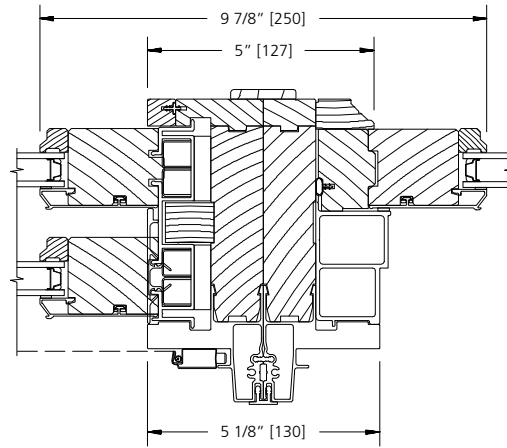
SCALE: 3" = 1'

**STANDARD MULLION DETAILS**

**HORIZONTAL MULLION**

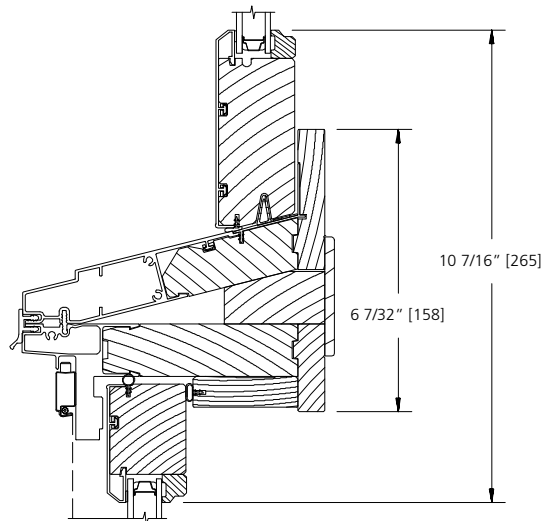


**DOUBLE HUNG NEXT TO A DOUBLE HUNG**



**DOUBLE HUNG NEXT TO A PICTURE UNIT**

**VERTICAL MULLION**



**TRANSOM OVER A DOUBLE HUNG**

**TRANSOM MULLING NOTE:**

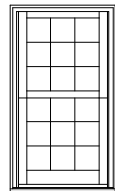
Transom units are assembled with the side jamb of the Transom unit flush with the head jamb of the lower unit. The overall vertical frame height of the mullied units is equal to the frame height of the lower unit and the upper unit added together.

**LITE CUT INFORMATION**

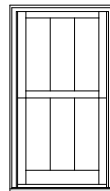
Custom Clad Epic double hung windows are available with removable grilles in 7/8", 1-1/8" and 1-3/8" widths, grilles between the glass (GBG), and Simulated Divided Lites. Standard lite cuts are rectangular, and conform to the layouts noted in the charts on the next page. To use the chart, refer to the appropriate table by the type of window and type of bars or grilles the section drawings illustrate. Then simply cross reference the frame Height and Width to determine the standard lite cut.

**LITE CUT OPTIONS**

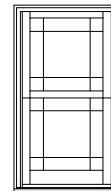
Special lite cut patterns can include a wide variety of straight line and radius patterns. The illustrations shown here represent just a few of the possibilities. Rectangular, horizontal, vertical and Prairie lite patterns are available in all standard size clad double-hung windows. Uneven, diamond, radius and Gothic lite cuts are available, subject to approval. Approvals are based on the ability to fulfill the design requirement while maintaining the construction integrity of the finished product.



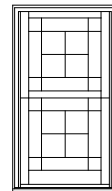
RECTANGULAR



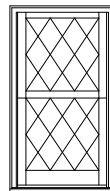
VERTICAL



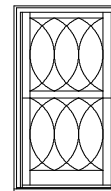
PRAIRIE



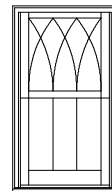
UNEVEN



DIAMOND



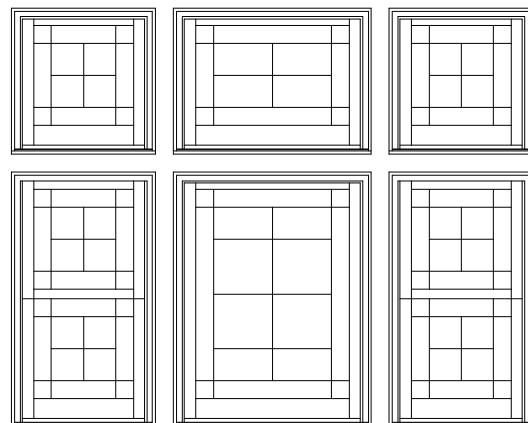
RADIUS



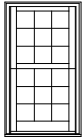
GOTHIC

**BAR ALIGNMENT**

Alignment of divided lite muntin bars from one window to the next is often required by fine architectural design. Wood grilles, GBG (Grilles between the Glass), and Simulated Divided Lites may be specified with muntin bars aligned.



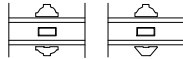
**LITE CUT TABLES**  
**DOUBLE-HUNG - CCED**



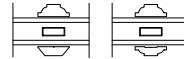
7/8" GRILLE BAR



1 1/8" GRILLE BAR



PUTTY BEAD  
5/8" SDL BAR



PUTTY BEAD  
7/8" SDL BAR



5/8" FLAT

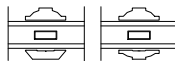


23/32" CONTOUR  
GBG



1" CONTOUR

CCED		Frame Height				
		57	81	105	129	
Frame Width	32	32 3/16	3W 3H	3W 4H	3W 5H	3W 6H
	44	44 3/16	4W 3H	4W 4H	4W 5H	4W 6H
	56	56 3/16	5W 3H	5W 4H	5W 5H	5W 6H
	68	68 3/16	6W 3H	6W 4H	6W 5H	N/A



PUTTY BEAD  
1 1/8" SDL BAR



1 3/8" GRILLE BAR

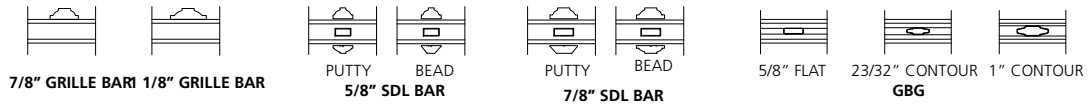
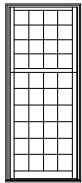


1 3/8" SDL BAR

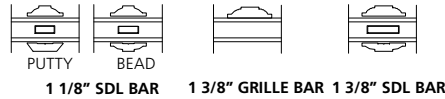
CCED		Frame Height				
		57	81	105	129	
Frame Width	32	32 3/16	2W 2H	2W 3H	2W 4H	2W 5H
	44	44 3/16	3W 2H	3W 3H	3W 4H	3W 5H
	56	56 3/16	4W 2H	4W 3H	4W 4H	4W 5H
	68	68 3/16	5W 2H	5W 3H	5W 4H	N/A

**LITE CUT TABLES**  
**COTTAGE AND REVERSE COTTAGE DOUBLE-HUNG - CCED**

**COTTAGE DOUBLE HUNG - CCED**

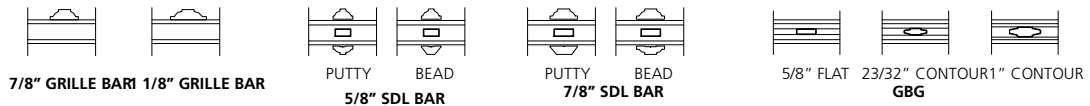
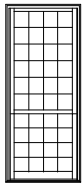


CCED		Frame Height		
		81C47 81 1/16	105C59 105 1/16	
Frame Width	32	32 3/16	3W 3H 5H	3W 4H 6H
	44	44 3/16	4W 3H 5H	4W 4H 6H
	56	56 3/16	5W 3H 5H	5W 4H 6H
	68	68 3/16	6W 3H 5H	6W 4H 6H

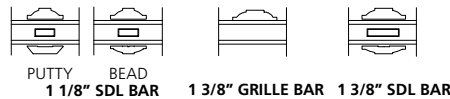


CCED		Frame Height		
		81C47 81 1/16	105C59 105 1/16	
Frame Width	32	32 3/16	2W 2H 4H	2W 3H 5H
	44	44 3/16	3W 2H 4H	3W 3H 5H
	56	56 3/16	4W 2H 4H	4W 3H 5H
	68	68 3/16	5W 2H 4H	5W 3H 5H

**REVERSE COTTAGE DOUBLE HUNG - CCED**



CCED		Frame Height		
		81R23 81 1/16	105R35 105 1/16	
Frame Width	32	32 3/16	3W 5H 3H	3W 6H 4H
	44	44 3/16	4W 5H 3H	4W 6H 4H
	56	56 3/16	5W 5H 3H	5W 6H 4H
	68	68 3/16	6W 5H 3H	6W 6H 4H

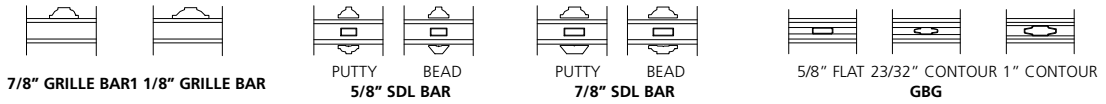
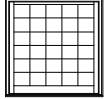


CCED		Frame Height		
		81R23 81 1/16	105R35 105 1/16	
Frame Width	32	32 3/16	2W 5H 3H	2W 6H 4H
	44	44 3/16	3W 5H 3H	3W 6H 4H
	56	56 3/16	4W 5H 3H	4W 6H 4H
	68	68 3/16	5W 5H 3H	5W 6H 4H

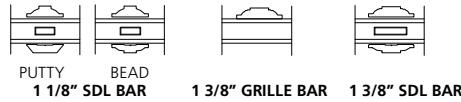


**LITE CUT TABLES**  
**PICTURE - CCEDP AND TRANSOM - CCEDT**

**PICTURE WINDOWS - CCEDP**

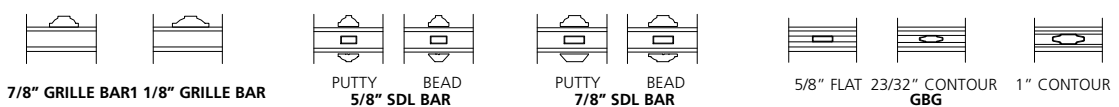
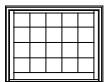


CCEDP		Frame Height				
		57	81	105	129	
Frame Width	32	32 3/16	3W 6H	3W 8H	3W 10H	3W 12H
	44	44 3/16	4W 6H	4W 8H	4W 10H	4W 12H
	56	56 3/16	5W 6H	5W 8H	5W 10H	5W 12H
	68	68 3/16	6W 6H	6W 8H	6W 10H	N/A

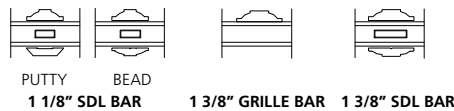


CCEDP		Frame Height				
		57	81	105	129	
Frame Width	32	32 3/16	2W 6H	2W 8H	2W 10H	2W 12H
	44	44 3/16	3W 6H	3W 8H	3W 10H	3W 12H
	56	56 3/16	4W 6H	4W 8H	4W 10H	4W 12H
	68	68 3/16	5W 6H	5W 8H	5W 10H	N/A

**TRANSOM WINDOWS - CCEDT**



CCEDT		Frame Height				
		32	44	56	68	
Frame Width	32	32 3/16	3W 3H	3W 4H	3W 5H	3W 6H
	44	44 3/16	4W 3H	4W 4H	4W 5H	4W 6H
	56	56 3/16	5W 3H	5W 4H	5W 5H	5W 6H
	68	68 3/16	6W 3H	6W 4H	6W 5H	6W 6H

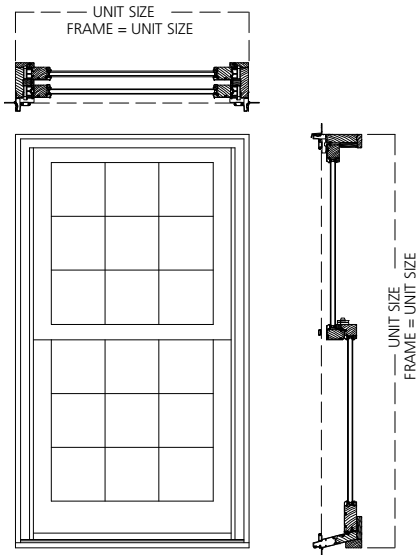


CCEDT		Frame Height				
		32	44	56	68	
Frame Width	32	32 3/16	2W 2H	2W 3H	2W 4H	2W 5H
	44	44 3/16	3W 2H	3W 3H	3W 4H	3W 5H
	56	56 3/16	4W 2H	4W 3H	4W 4H	4W 5H
	68	68 3/16	5W 2H	5W 3H	5W 4H	5W 5H

**UNIT SIZING, ROUGH OPENINGS  
& MASONRY OPENINGS**

**STANDARD OFFERING**

DRIP CAP & FOLDING NAILING FLANGE



**GENERAL NOTES:**

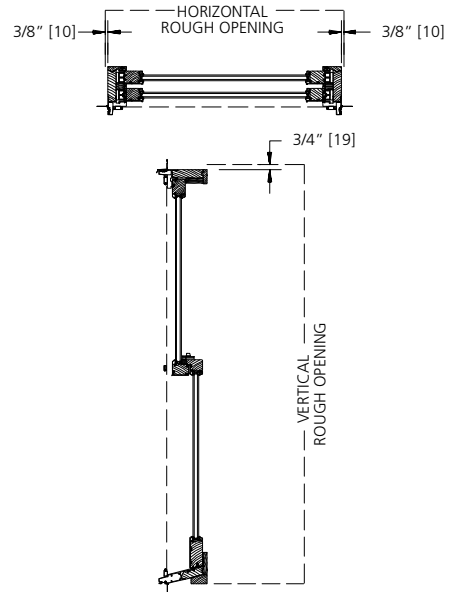
UNITS WITH NO TRIM AND SILL NOSE:  
UNIT SIZE = FRAME SIZE

UNIT SIZE IS ALWAYS THE  
EXTREME SIZE OF THE WINDOW  
WITH OR WITHOUT TRIM  
(DRIP CAP & NAILING FLANGE ARE  
NOT ADDED TO ANY UNIT SIZING)

MASONRY OPENING:  
MASONRY OPENING IS ALWAYS 1/2" OVER  
THE UNIT SIZE OF THE WINDOW

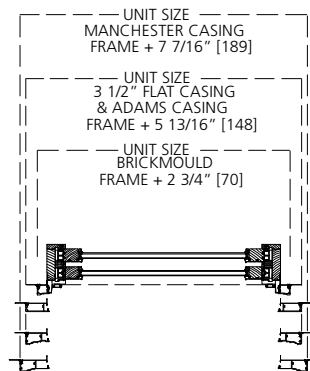
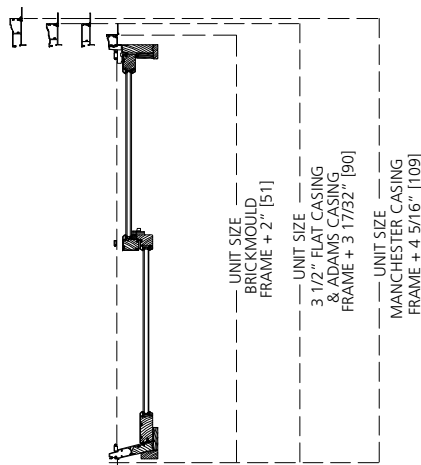
**ROUGH OPENING:**

ROUGH OPENING IS ALWAYS 3/4" OVER  
FRAME SIZE OF THE WINDOW

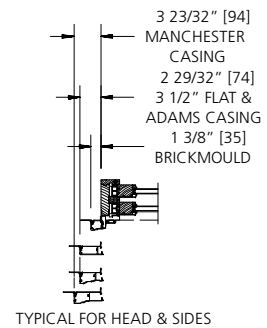


**NON-STANDARD UNIT SIZING**

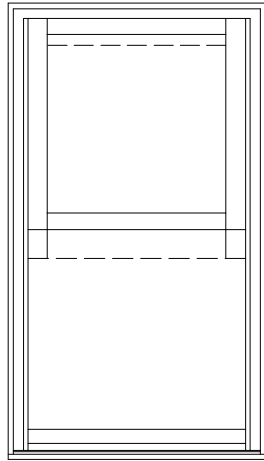
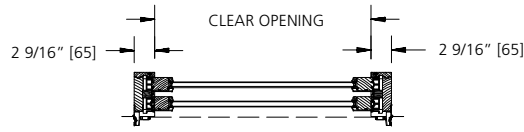
EXTERIOR TRIM OFFERINGS WITH SILL NOSE  
EXTERIOR TRIM MUST USE SILL NOSE



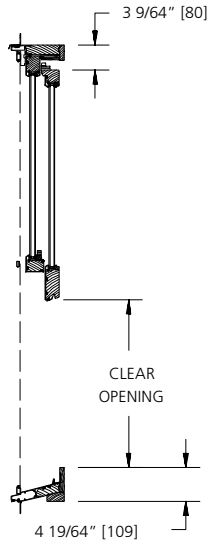
**FRAME TO TRIM DIMENSIONS**



**CLEAR OPENING LAYOUT**



**DOUBLE HUNG WINDOW**



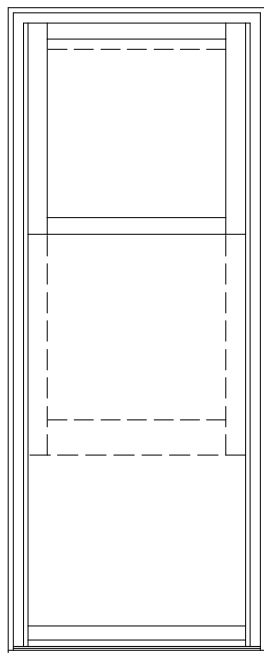
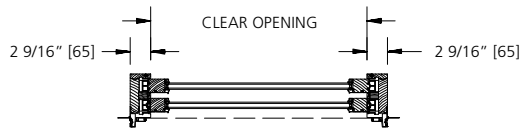
**CLEAR OPENING FORMULAS**

**HORIZONTAL**  
Frame - 5 1/8" = Clear Opening

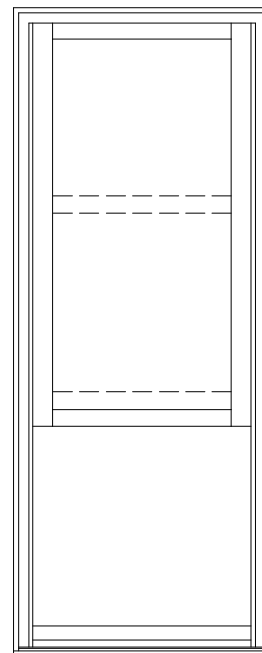
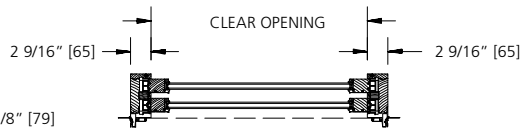
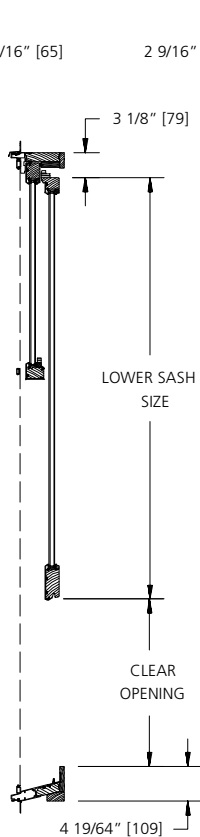
**VERTICAL**  
Double Hung  
Frame Height - (Lower Sash + 7 7/16") = Clear Opening

Cottage  
Frame Height - (Lower Sash + 7 7/16") = Clear Opening

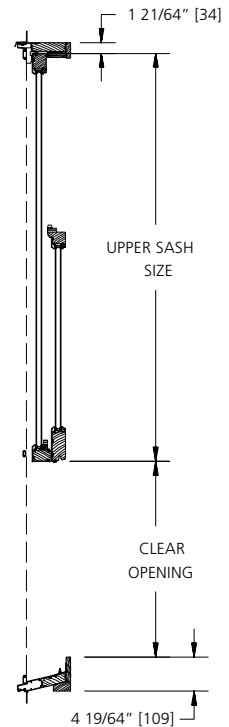
Reverse Cottage  
Frame Height - (Upper Sash + 5 19/32") = Clear Opening



**COTTAGE WINDOW**



**REVERSE COTTAGE WINDOW**

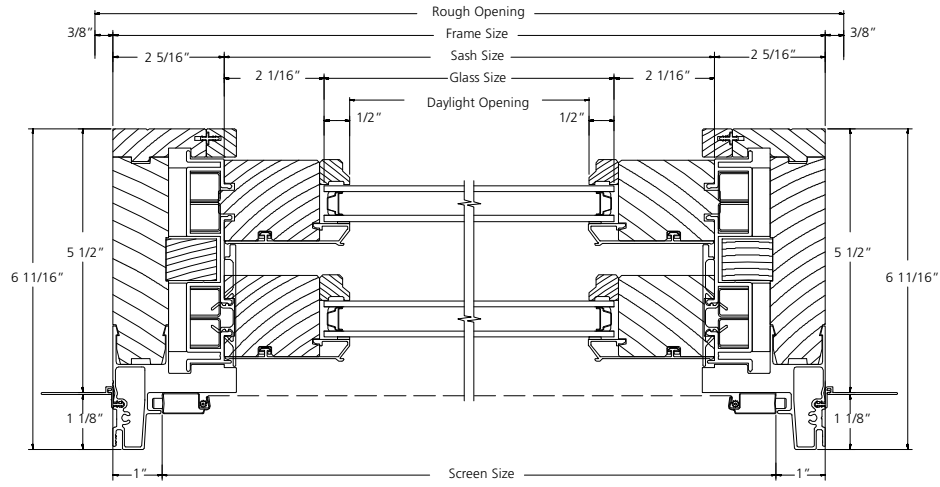


**COTTAGE & REVERSE COTTAGE**

Consult the Design Data Tables for clear opening information. For dimensional units, contact Jeld-Wen - Bend Window Division Technical Services Department for Clear Opening information.



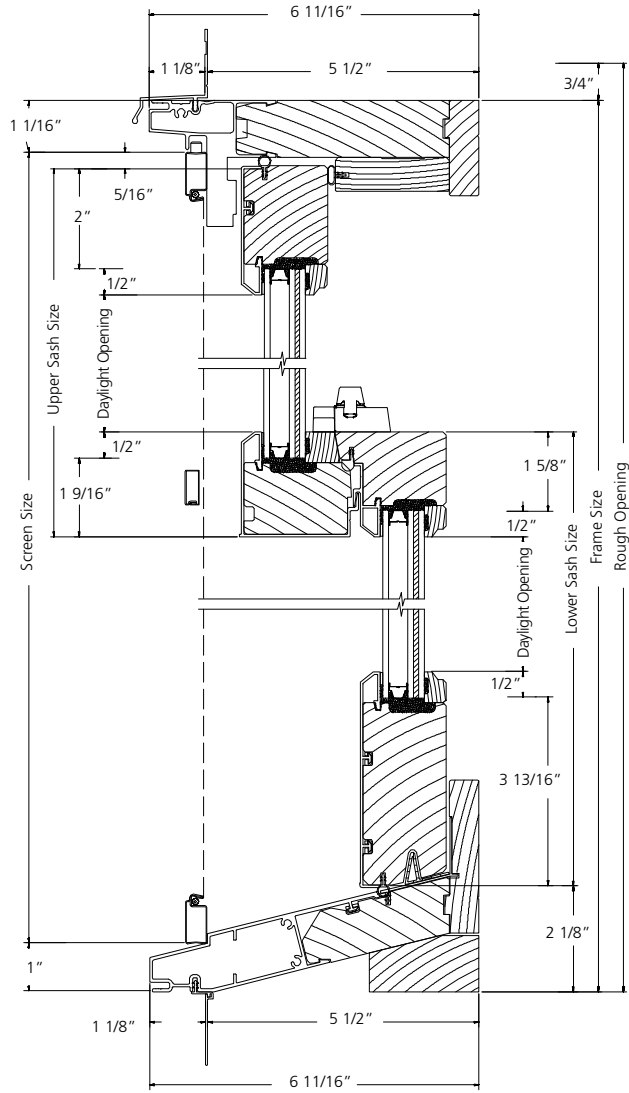
**OPERATING UNIT**



**HORIZONTAL SECTION**

SCALE: 3" = 1'

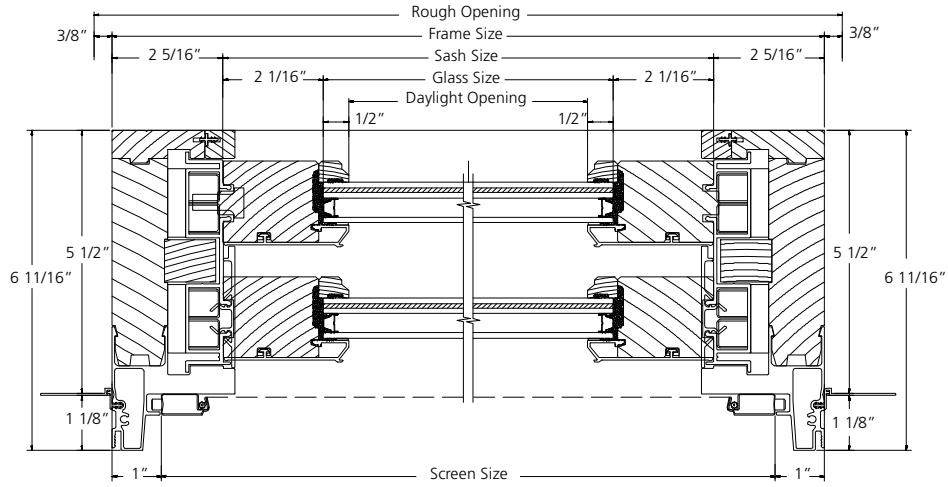
**IMPACT OPERATING UNIT**



**VERTICAL SECTION**

SCALE: 3" = 1'

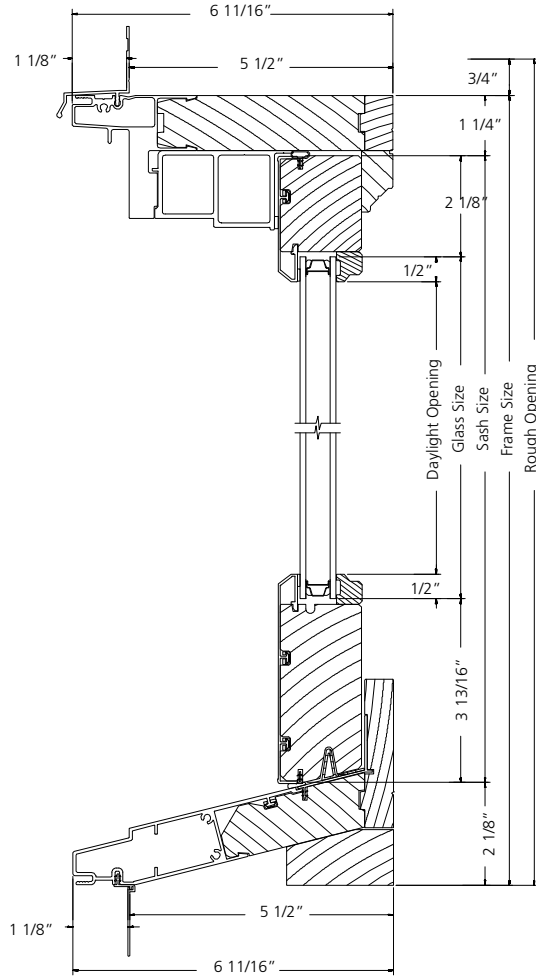
**IMPACT OPERATING UNIT**



**HORIZONTAL SECTION**

SCALE: 3" = 1'

**PICTURE UNIT**

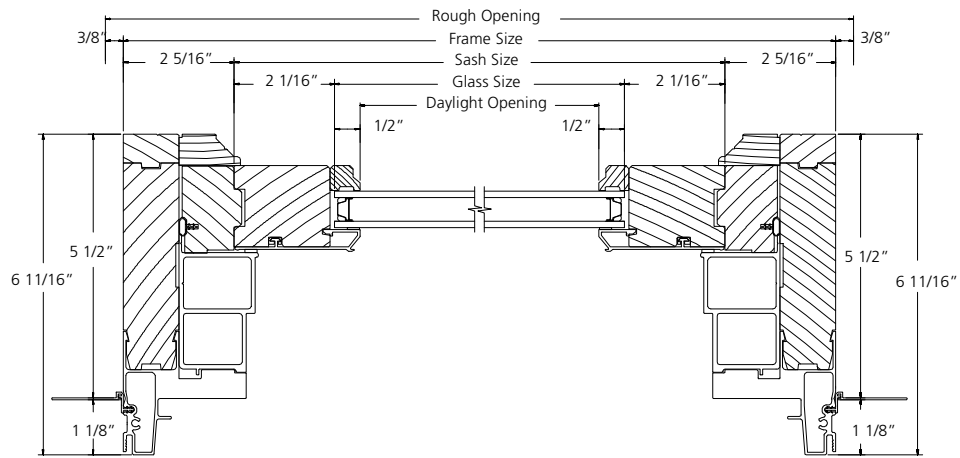


**VERTICAL SECTION**

SCALE: 3" = 1'



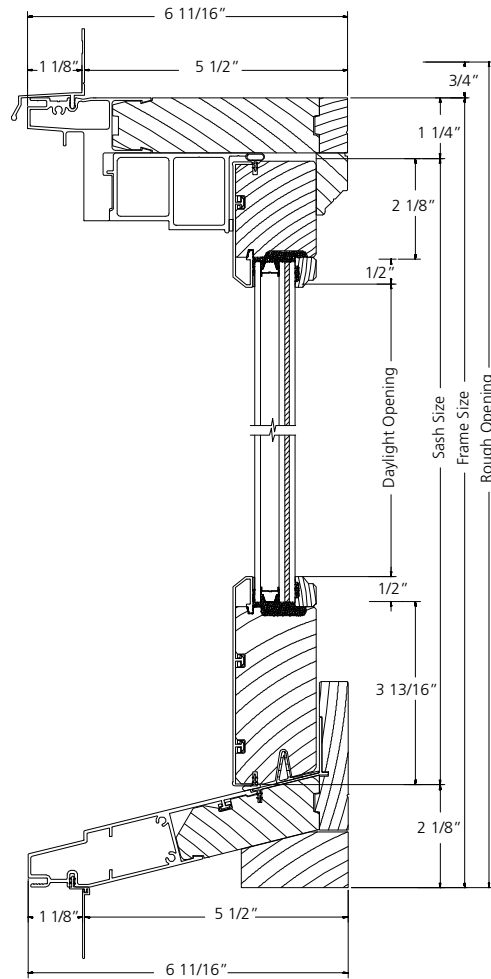
**PICTURE UNIT**



**HORIZONTAL SECTION**

SCALE: 3" = 1'

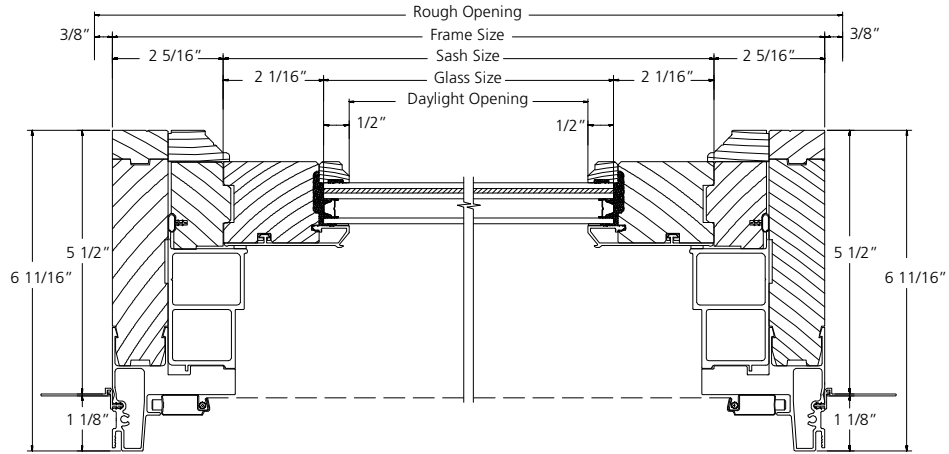
**IMPACT PICTURE UNIT**



**VERTICAL SECTION**

SCALE: 3" = 1'

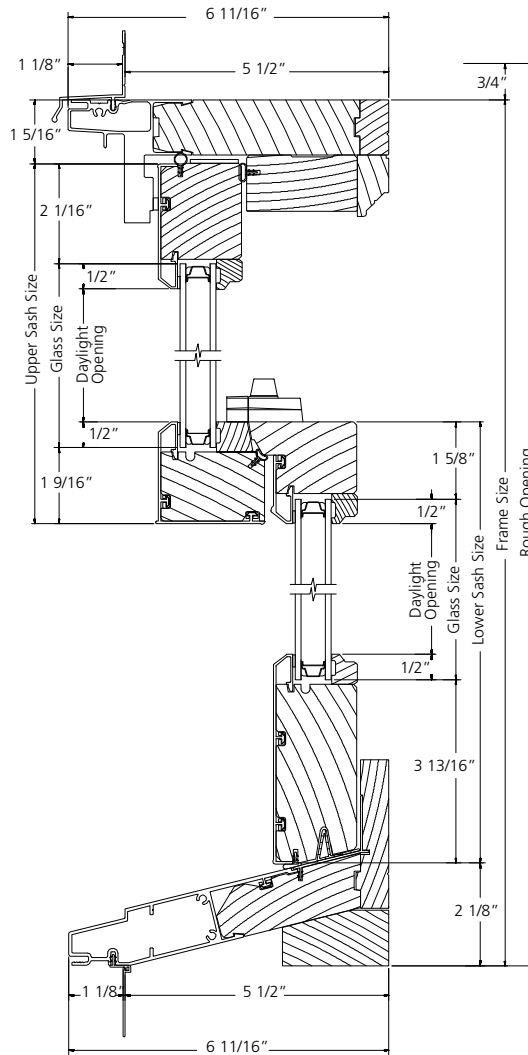
**IMPACT PICTURE UNIT**



**HORIZONTAL SECTION**

SCALE: 3" = 1'

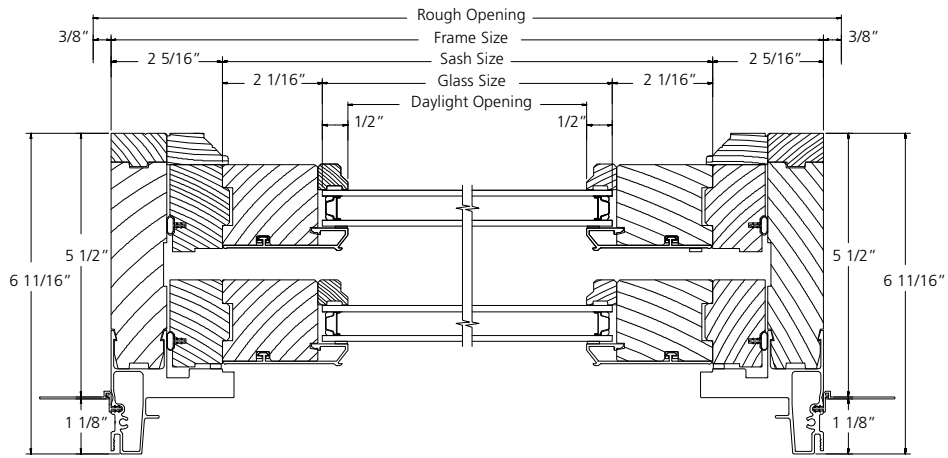
**DOUBLE-HUNG  
FIXED SASH**



**VERTICAL SECTION**

SCALE: 3" = 1'

**DOUBLE-HUNG  
FIXED SASH**

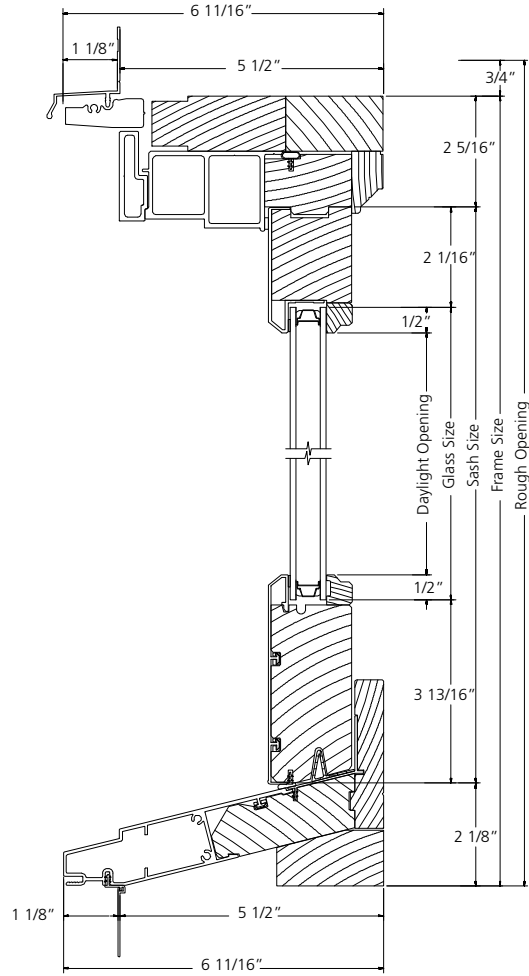


**HORIZONTAL SECTION**

SCALE: 3" = 1'



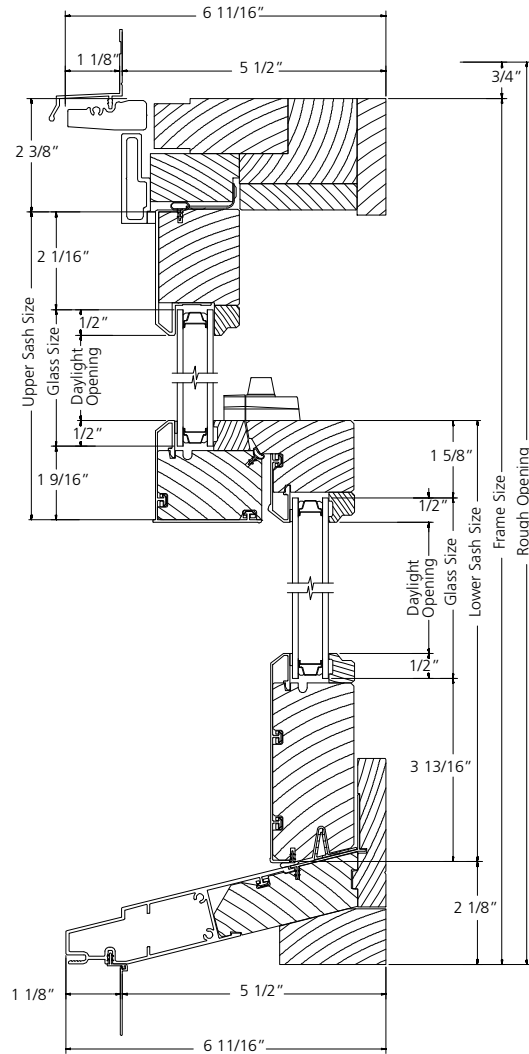
**DOUBLE-HUNG  
PICTURE RADIUS**



**VERTICAL SECTION**

SCALE: 3" = 1'

**DOUBLE-HUNG  
FIXED SASH RADIUS**



**VERTICAL SECTION**

SCALE: 3" = 1'